

LED Motion Security Lights



LED energy-saving lamp is made with highbrightness white light-emitting diode light source, it match a motion sensor, detect distance adjustable up to 70ft, and intergrated dusk to dawn photocell. One head, two heads, three heads can be choose freely, but for that, if no need motion sensor, it is also aviable.

Features:

1. Replace Halogen and save 80% energy
2. High quality COB leds with uniform illumination
3. Excellent thermal design with plastic-packed aluminum structure
4. Pivoting Arm allows directional lighting
5. Easy to mount with Canopy
6. Outdoor wet location rated IP65
7. Motion sensor adjustable lux, and sensing distance, time can be set by customer



Product parameters:

Model	Power	Lumen	LED Qty	CCT	Lighting effect	CRI	Beam angle	Detection range	Detection distance	Input voltage
SEC-010-AW-WW-01	10W	900LM	1pcs	3000K	90LM/W	≥80	100°	150°/270° optional	Max. 18m, adjustable	100-277V 50/60Hz
SEC-020-AW-WW-01	10W x 2	1800LM	2pcs	4000K						
SEC-030-AW-WW-01	10Wx3	2700LM	3pcs	5000K 6000K						

Application scene:

Mainly used for lighting in the corridors, side walls and portal of retail market of America, small supermarkets, storage rooms, library, etc. The applicable scope is very wide.





Light resource test report:

SEC-010-AW-WW-01

CIE Color Parameters:

Chromaticity Coordinate: $x=0.4322$ $y=0.4030/u'=0.2480$

$v'=0.5202$ (duv=2.21e-004) CCT:Tc= 3072K

Prpc WaveL: d=582.4nm Purity=50.7%

Peak WaveL: p=600nm Half Width: p=124.7nm

Ratio:R=22.3% G=74.9% B=2.8% Average Wave: 587nm

Rendering Index:Ra=81.7

R1=80 R2=91 R3=95 R4=79 R5=81 R6=90 R7=81 R8=56

R9=1 R10=81 R11=78 R12=71 R13=83 R14=98 R15=72

Photo Parameters:

Flux: $\Phi=1060.8$ (lm) Luminous Efficacy: 100.44(lm/W)

Luminous Power:P=3.178(W)

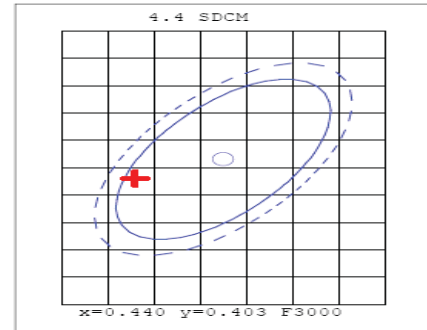
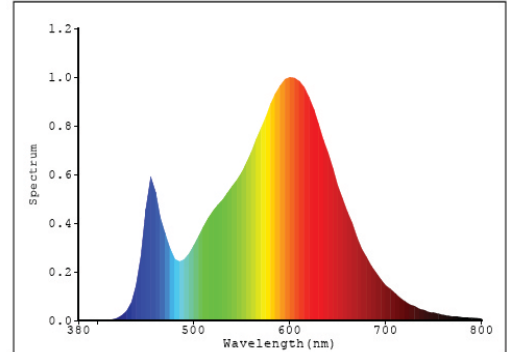
Electrical Parameters:

U=120.8V I=0.0894A P=10.56W PF=0.978

Instrument Status:

Scan Range:380.0nm-800.0nm Interval:5.0nm Ip = 50252(G=3, D=49)

REF = 9193 TMP(PMT)= 28.4(deg.celsius) Test Mode: Fast Test



SEC-020-AW-WW-01

CIE Color Parameters:

Chromaticity Coordinate: $x=0.4325$ $y=0.4037/u'=0.2479$

$v'=0.5206$ (duv=4.68e-004) CCT:Tc= 3072K Prpc

WaveL: d=582.3nm Purity=51.0%

Peak WaveL: p=600nm Half Width: p=125.3nm

Ratio:R=22.3% G=75.0% B=2.8% Average Wave: 587nm

Rendering Index:Ra=81.5

R1=80 R2=91 R3=95 R4=79 R5=80 R6=89 R7=81 R8=56

R9=0 R10=80 R11=78 R12=70 R13=83 R14=98 R15=72

Photo Parameters:

Flux: $\Phi=2149.9$ (lm) Luminous Efficacy: 101.53(lm/W)

Luminous Power:P=6.425(W)

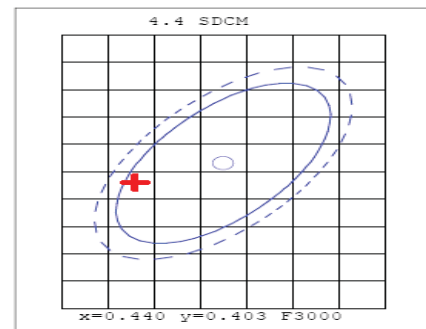
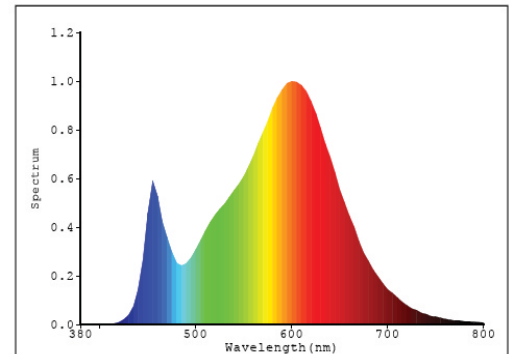
Electrical Parameters:

U=120.7V I=0.1793A P=21.17W PF=0.978

Instrument Status:

Scan Range:380.0nm-800.0nm Interval:5.0nm Ip = 17889(G=2, D=49)

REF = 18525 TMP(PMT)= 228.9(deg.celsius) Test Mode: Fast Test





SEC-030-AW-WW-01

CIE Color Parameters:

Chromaticity Coordinate: $x=0.4319$ $y=0.4033/u'=0.2477$
 $v'=0.5203$ ($duv=4.06e-004$) CCT: $T_c=3080K$

Prpc WaveL: $d=582.3nm$ Purity=50.7%

Peak WaveL: $p=600nm$ Half Width: $p=125.2nm$

Ratio: R=22.2% G=75.0% B=2.8% Average Wave: 587nm

Rendering Index: Ra=81.5

R1=80 R2=91 R3=95 R4=79 R5=80 R6=89 R7=81 R8=56

R9=0 R10=80 R11=78 R12=70 R13=83 R14=98 R15=72

Photo Parameters:

Flux: $\Phi=3198.8(lm)$ Luminous Efficacy: 101.29(lm/W)

Luminous Power: $P=9.558(W)$

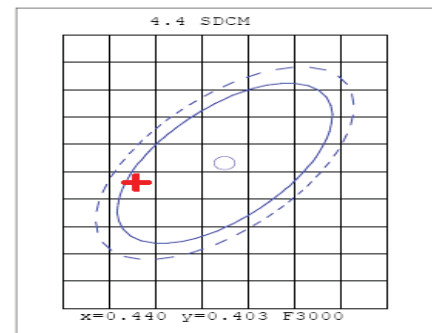
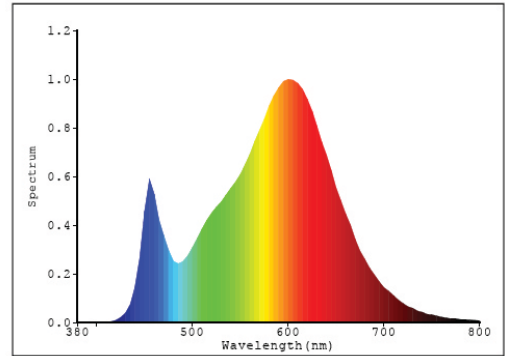
Electrical Parameters:

U=120.6V I=0.2675A P=31.58W PF=0.978

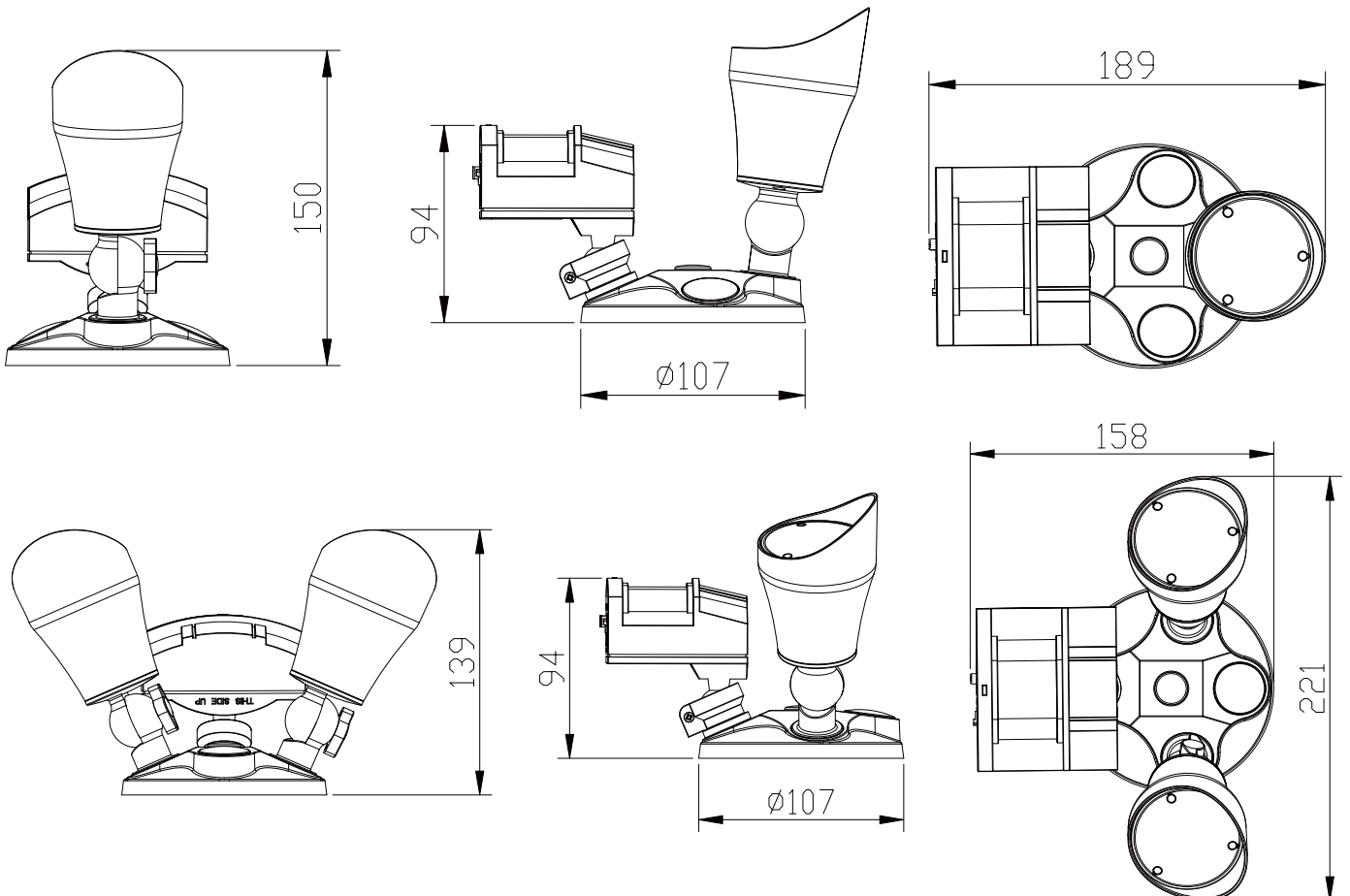
Instrument Status:

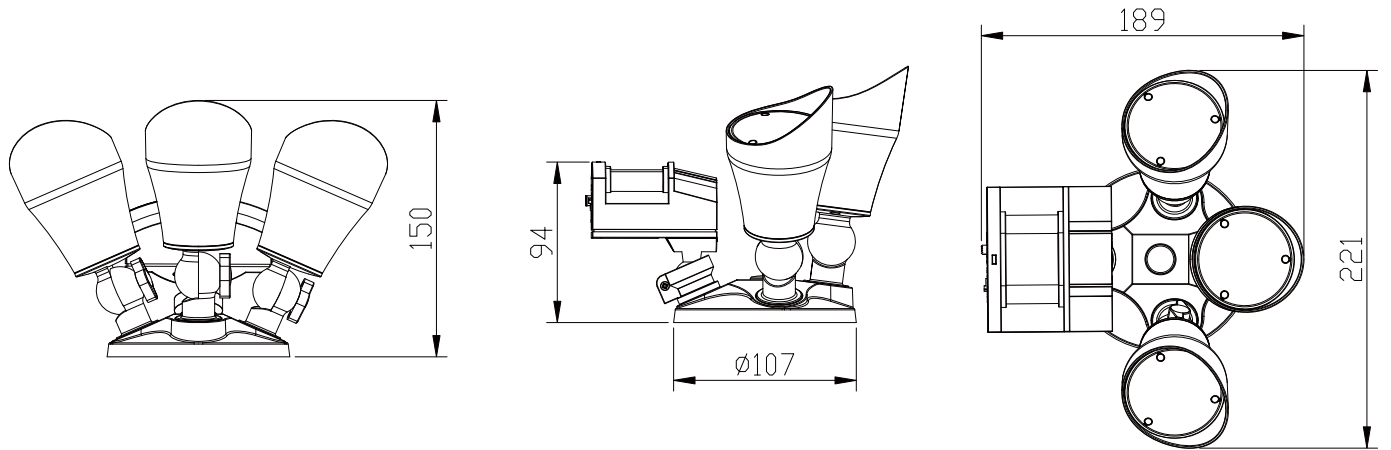
Scan Range: 380.0nm-800.0nm Interval: 5.0nm $I_p = 26729(G=2, D=49)$

REF = 27135 TMP(PMT) = 28.6(deg.celsius) Test Mode: Fast Test

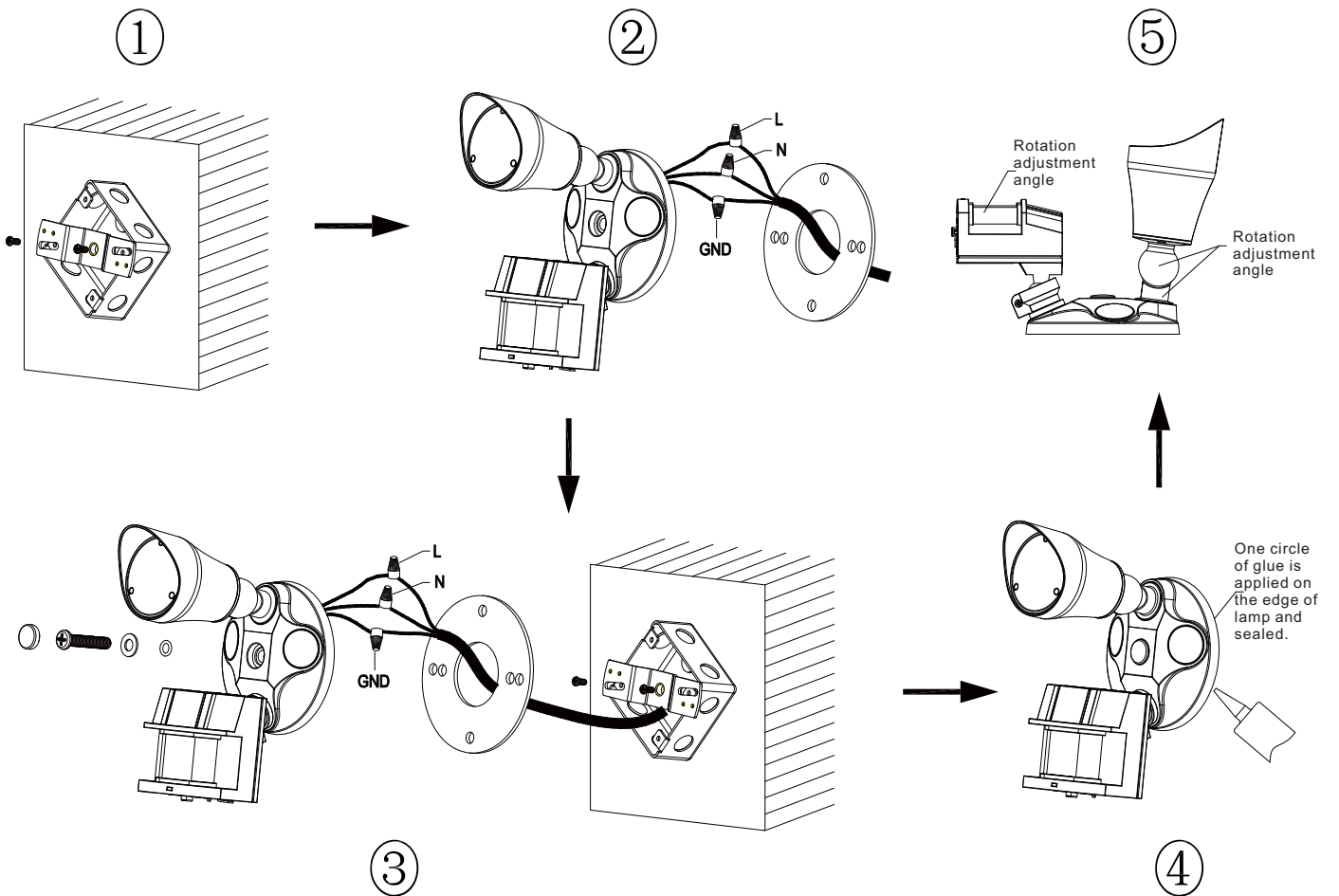


Dimension: (mm)





Installation diagram:





Packing information:

Product type	SEC-010-AW-WW-01	SEC-020-AW-WW-01	SEC-030-AW-WW-01
Color box size	140x115x170mm	195x115x165mm	195x115x215mm
External case size	590x295x360mm 20PCS/carton	475x405x350mm 16PCS/carton	600x475x235mm 12PCS/carton
Net weight	0.41Kg	0.55Kg	0.7Kg
Weight of single package	0.52Kg	0.68Kg	0.85Kg
Weight of whole case	11.4Kg	12Kg	11.5Kg
Container quantity	20-inch container 6300PCS 40-inch common container 13300PCS 40-inch high container 15960PCS	20-inch container 4400PCS 40-inch common container 9600PCS 40-inch high container 11520PCS	20-inch container 3024PCS 40-inch common container 6384PCS 40-inch high container 8208PCS

Notice:

Warning: Attention to electric shock

Before the lamp is connected with the power supply, please cut off the fuse or air breaker; ensure that the input voltage is within the correct and reasonable scope and connect the lamp with the power supply of 120V 60 Hz; ensure that the connection of wire and grounding wire conforms to national electric standard and local applicable specification requirement. All connection of wire must use connection terminals in line with UL certification.

Warning: Attention to cauma

Take the lamp from the box. Wear the glove and protective glasses at the time of installation, debugging and repair. When the lamp is on, don't stare at the light source with eyes directly. As LED is very bright, you should not stare at LED at any circumstance. Otherwise, irreparable injury may be produced to your eyes. Please let the lamp cool before touching it. Don't touch the lamp enclosure or light source. The input power should not exceed the maximum power indicated on the lamp label.

Warning: Attention to fire

The inflammable and combustibile should be away from the light source and light/lens.