

SUN surface mounted LED downlight



COB



SMD



Product characteristic

1. The main material of the product is aluminum alloy and the main technology is shear spinning process with one-time molding, producing good heat dissipation effect.
2. There are two types of colors, black and white for selection. The appearance is simple and decent.
3. COB adopts high reflective rate metal reflection cup and transparent tempered glass with high photosynthetic efficiency and high energy saving.
4. SMD adopts milky white PC shade + sealing ring. Waterproof grade of the front side can reach IP44.
5. Efficient and energy saving LED driving power.
6. There are four types of LEDs, HONGLI, LUMINUS, Citizen and Cree for selection.

Product description:

1. The spinning radiator with one-time molding is provided with good heat dissipation effect.
2. The light covers and tail covers are fixed through emboss rotating cooperation fixation, allowing simple assembly and efficient production.
3. The surface is sprayed with white powder; high-end and elegant.
4. The service life is more than 50000 hours.



Application occasions:

Mainly applicable in factories, hotels, home renovation, department stores and exhibition rooms, etc.



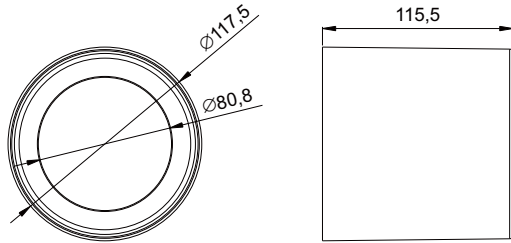
Product parameters:

Model	Color	CCT	Lumen	LED Type	Beam angle	Max. Current	Volatge	Frequency	CRI	PF
FSDL5-010-AH-WW-01	WW	3000K	850lm	2835 SMD	90°	0.12A	220-240 V AC	50/60Hz	>80	≥0.9
FSDL5-010-AH-NW-01	NW	4000K	890lm							
FSDL5-010-AH-W-01	W	5000K	900lm							
FSDL6-016-AH-WW-01	WW	3000K	1720lm	2835 SMD	90°	0.18A	220-240 V AC	50/60Hz		
FSDL6-016-AH-NW-01	NW	4000K	1770lm							
FSDL6-016-AH-W-01	W	5000K	1790lm							
FSDL8-025-AH-WW-01	WW	3000K	2840lm	2835 SMD	90°	0.3A	220-240 V AC	50/60Hz		
FSDL8-025-AH-NW-01	NW	4000K	2890lm							
FSDL8-025-AH-W-01	W	5000K	3020lm							
FMDL4-012-AH-WW-01	WW	3000K	1000lm	COB	50°	0.13A	220-240 V AC	50/60Hz		
FMDL4-012-AH-NW-01	NW	4000K	1050lm							
FMDL4-012-AH-W-01	W	5000K	1000lm							
FMDL4-015-AH-WW-01	WW	3000K	1230lm	COB	50°	0.17A	220-240 V AC	50/60Hz		
FMDL4-015-AH-NW-01	NW	4000K	1270lm							
FMDL4-015-AH-W-01	W	5000K	1200lm							
FMDL5-020-AH-WW-01	WW	3000K	1650lm	COB	50°	0.25A	220-240 V AC	50/60Hz		
FMDL5-020-AH-NW-01	NW	4000K	1860lm							
FMDL5-020-AH-W-01	W	5000K	1800lm							
FMDL6-025-AH-WW-01	WW	3000K	2180lm	COB	50°	0.3A	220-240 V AC	50/60Hz		
FMDL6-025-AH-NW-01	NW	4000K	2440lm							
FMDL6-025-AH-W-01	W	5000K	2450lm							
FMDL8-030-AH-WW-01	WW	3000K	2600lm	COB	50°	0.35A	220-240 V AC	50/60Hz		
FMDL8-030-AH-NW-01	NW	4000K	2770lm							
FMDL8-030-AH-W-01	W	5000K	2680lm							

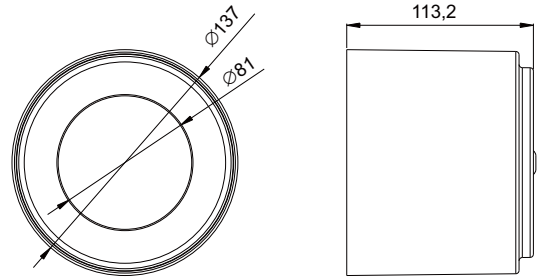


Dimension:mm/inch

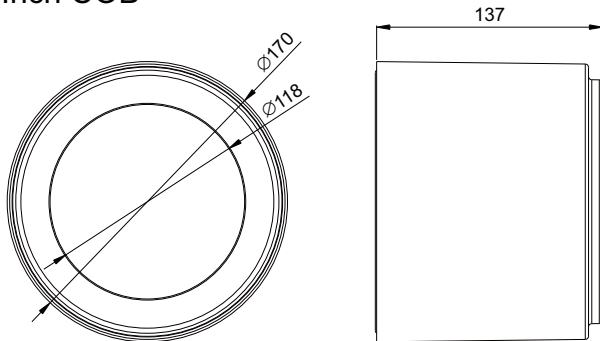
4Inch COB



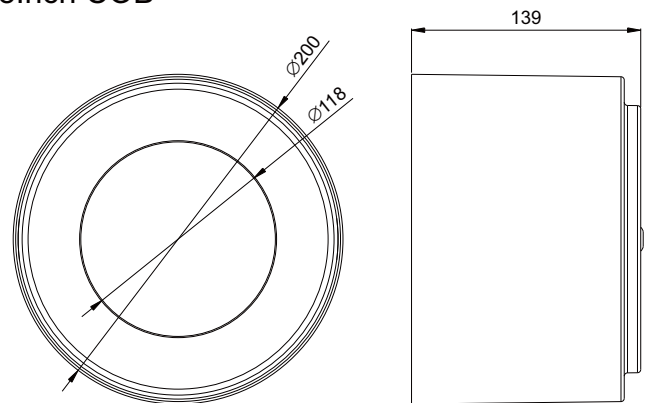
5Inch COB



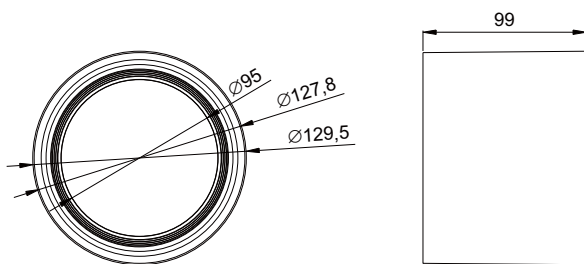
6Inch COB



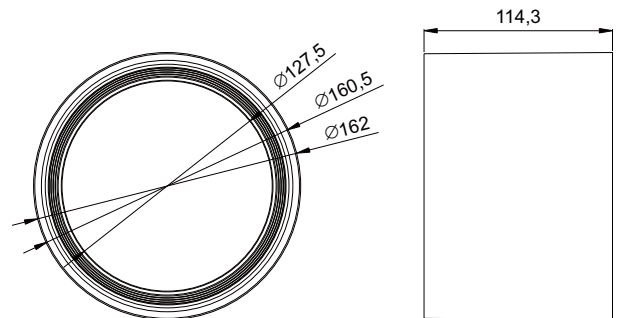
8Inch COB



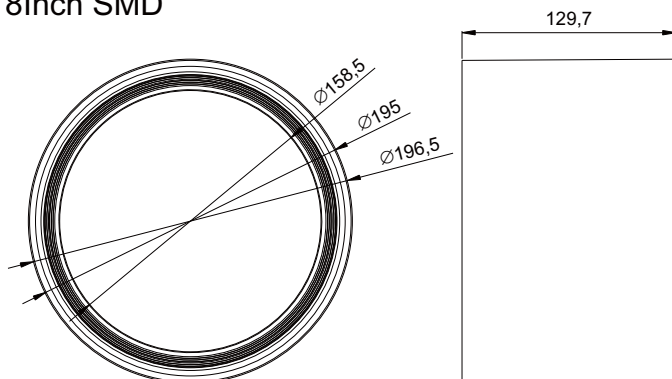
5Inch SMD



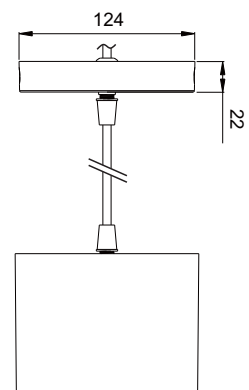
6Inch SMD



8Inch SMD



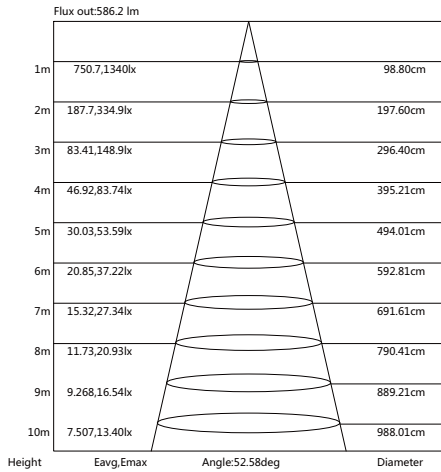
Suspended Installation



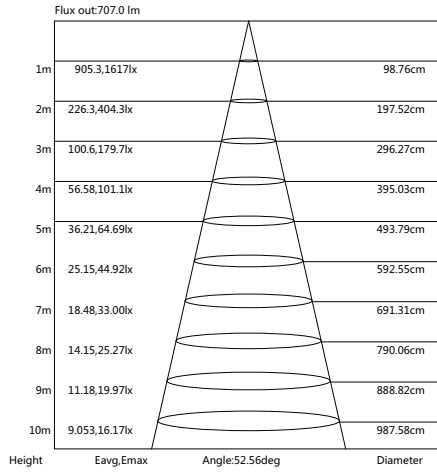


Light distribution curve:

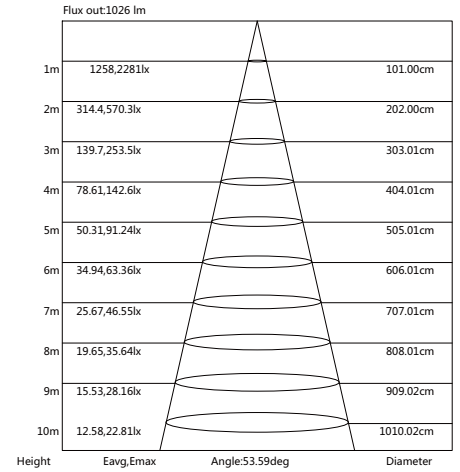
FMDL4-012-AH-NW-01



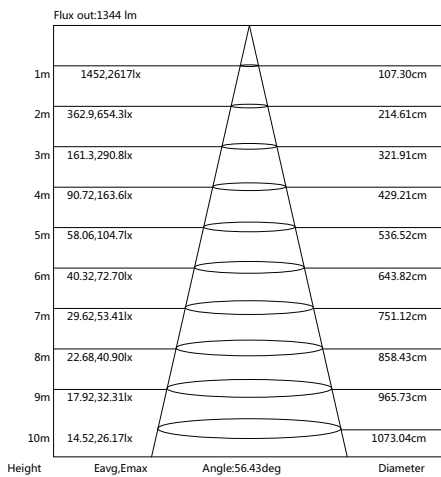
FMDL4-015-AH-NW-01



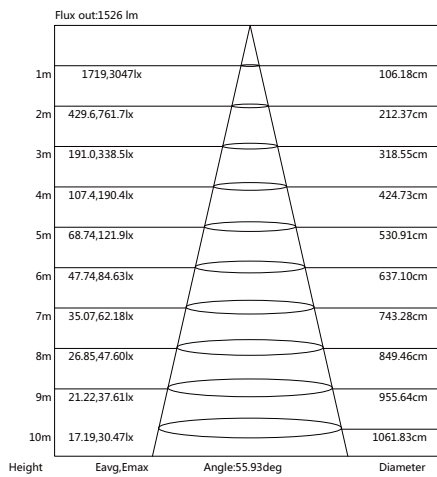
FMDL5-020-AH-NW-01



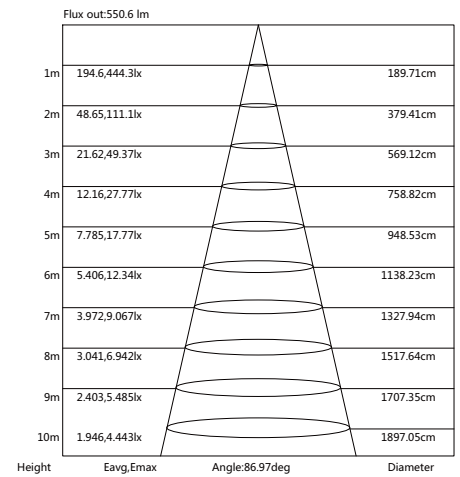
FMDL6-025-AH-NW-01



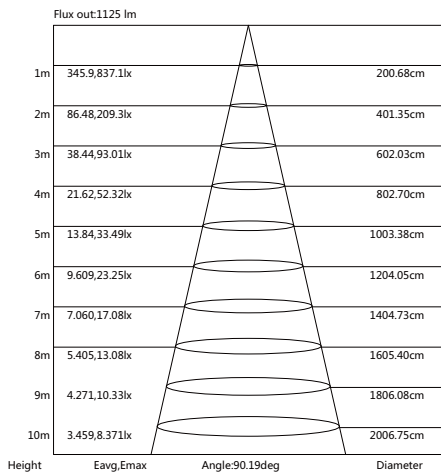
FMDL8-030-AH-NW-01



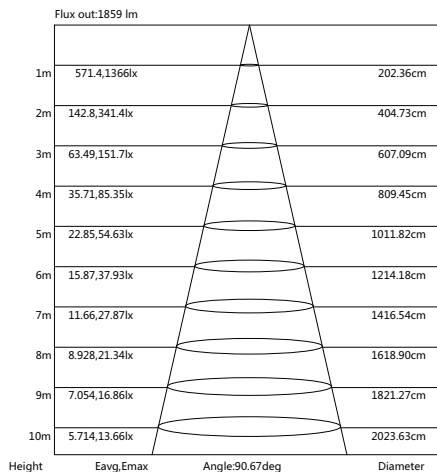
FSDL5-010-AH-NW-01



FSDL6-016-AH-NW-01



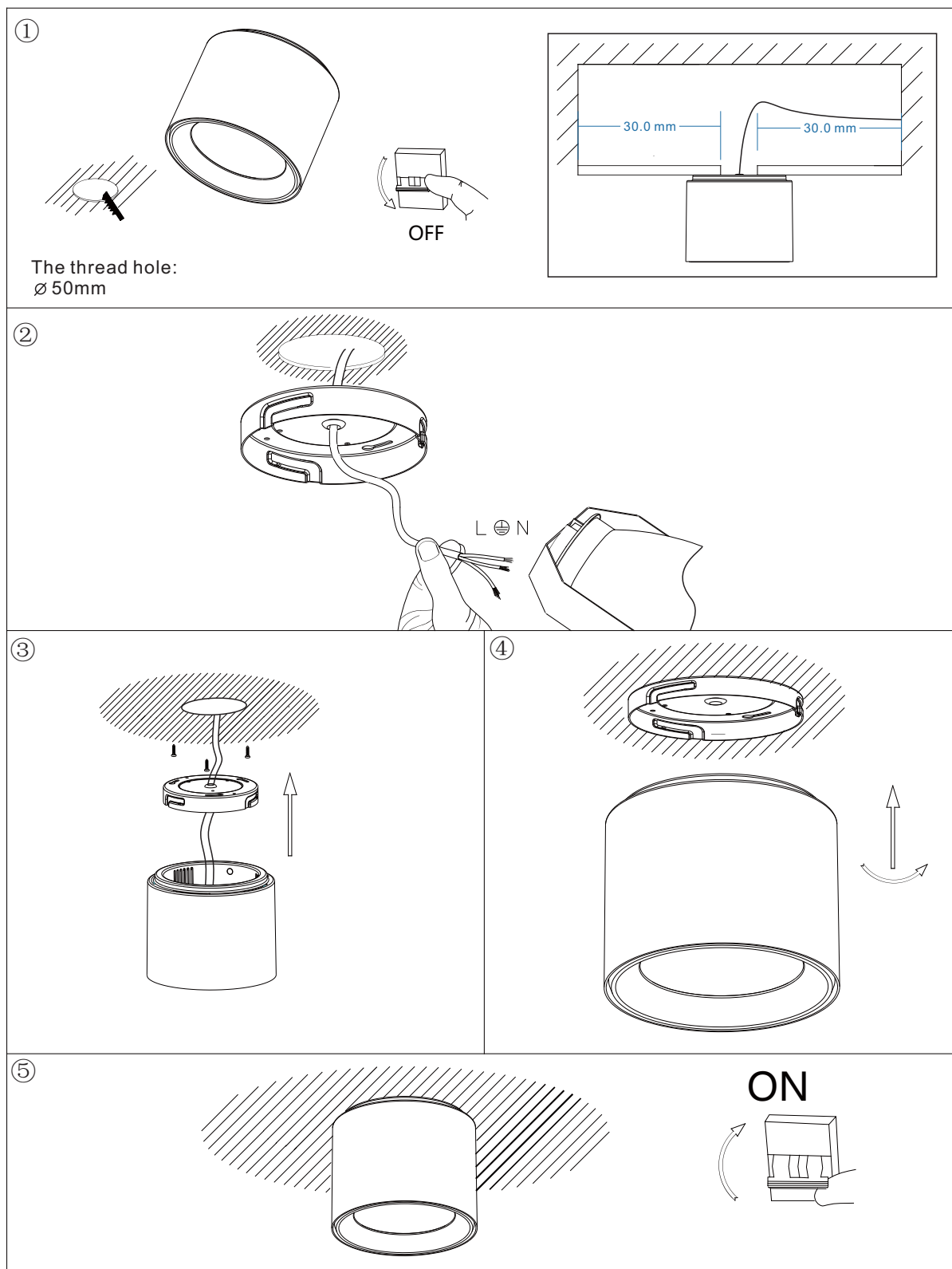
FSDL8-025-AH-NW-01





Connection diagram:

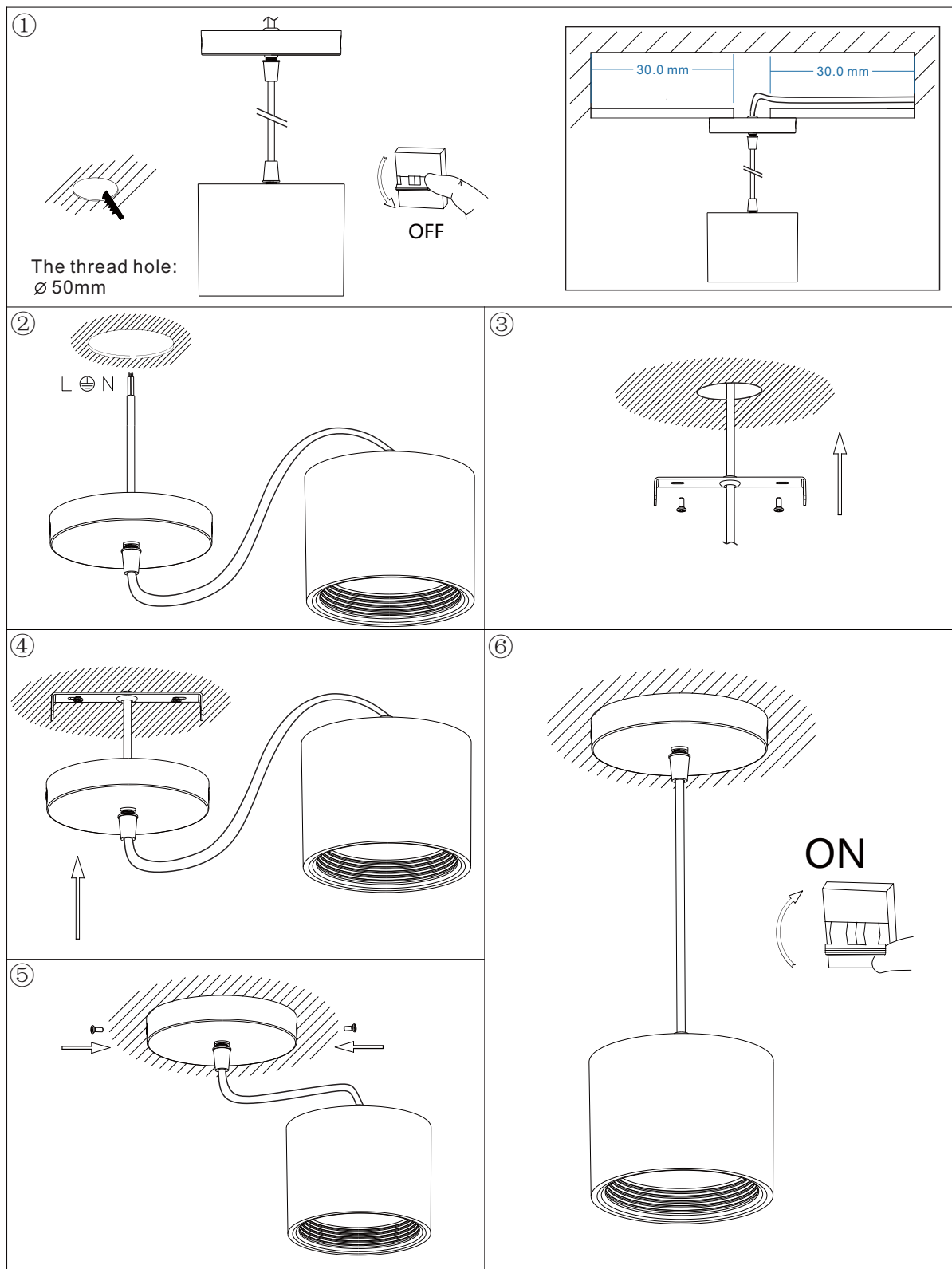
surface mounted





Connection diagram:

Suspended Installation





Packing information:

Model	Quantity of packing	Internal box size	External box size	N.W	Internal box	External box
SMD5	18PCS	130*130*122	410*410*266	0.43kg	0.06kg	1.1kg
SMD6	18PCS	164*164*136	512*512*292	0.72kg	0.07kg	1.2kg
SMD8	18PCS	200*200*152	620*620*326	0.9kg	0.1kg	1.3kg
COB4	18PCS	118*118*138	375*375*298	0.45kg	0.055kg	1.0kg
COB5	18PCS	138*138*136	435*435*295	0.5kg	0.065kg	1.1kg
COB6	18PCS	170*170*160	530*530*342	0.75kg	0.075kg	1.2kg
COB8	18PCS	200*200*162	620*620*346	0.93kg	0.105kg	1.3kg

! Notice:

1. Please read the product specification carefully first to confirm that the use environment is in line with the condition on the specification before it is used.
2. Please confirm the applicable power supply before use.
3. When the product is connected with power supply, ensure that the switch is at the disconnected state to prevent electric shock.
4. Operation against the rules may destroy your articles, or even endanger your personal safety.
5. Make preliminary calculation for the quantity of light and then calculate the total power according to frequency of single light. Design the power distribution scheme.
6. Dangerous high voltage. Non professional personnel should not repair.
7. If the external wire of the light is damaged, it should be replaced by manufacturer or service agent or personnel with similar qualification to avoid danger.
8. **Common sense for handling: avoid impact or press the product with heavy objects. Handle with care during the transportation and installation process.**