



PW Projector Light Series

PW-150/200/240/300/380/450-AH-XX-YY



Description :

PW series projector light employ high lighting effect LEDs, and its lighting effect can be up to be 120LM/W, the light save energy exceed 70% compared to high-voltage sodium lamp. PW projector light combine unique optical design, and it can be used as flood lighting and also as projecting lighting, optional angle 90°, 60°, to reach lighting effect equal to other traditional light source. Adopt convection thermal design to prolong lifetime of LEDs, and its lifetime can be 60,000 hours. Power 150W-450W available, suitable for different lighting scene, landscape lighting and general lighting.

Features :

1. Employ die-casting aluminum alloy lamp body, durable, anti-corrosion; anti-UV PC lens, high impact-resistance, uniform luminous surface;
2. Private mode patented product, die-casting mould, can be flexibly spliced, high stability in continuous working;
3. Adopt Seoul high lighting effect LEDs, can be up to 120 LM/W; higher lighting effect, more energy-saving, lifetime can be up to 60,000 hours;
4. Multiple choice for power: 150W, 200W, 240W, 300W, 380W, 450W;



5. Meanwell waterproof power supply, more reliable performance;
6. Designed with breathing apparatus, higher water-proof performance;
7. Ultra-slim design, beautiful appearance, lower transport cost;
8. CRI =80, good color rendering performance;
9. Operating environment temperature: -35°C~40°C ;
10. Corrosion-proof grade: W.

Ordering Guide :

PW-	XXX-	AH-	YY	ZZ
Family	Power: 150W 200W 240W 300W 380W 450W	AH: 200-240V	Color: W NW WW	03/07: 60° 04/08: 90° 03/04 : Sand and black 07/08: Sand grey

Technical parameters :

Model	CCT	Color	Lumen (lm) (±10%)	Beam angle	LED type	Voltage, frequency	Power (W) (±10%)	Max. current (A)	CRI	PF
PW-150-AH-W-ZZ	5500-6500K	White	16810/16370	60° /90°	SMD2835	AC200-240V 50/60Hz	150	0.85	> 80	≥0.9
PW-150-AH-NW-ZZ	3800-4200K	Neutral white	16010/15590							
PW-150-AH-WW-ZZ	2700-3200K	Warm white	15250/14850							
PW-200-AH-W-ZZ	5500-6500K	White	23600/23580	60° /90°	SMD2835	AC200-240V 50/60Hz	200	1.2	> 80	≥0.9
PW-200-AH-NW-ZZ	3800-4200K	Neutral white	22480/22460							
PW-200-AH-WW-ZZ	2700-3200K	Warm white	21410/21390							
PW-240-AH-W-ZZ	5500-6500K	White	28980/28670	60° /90°	SMD2835	AC200-240V 50/60Hz	240	1.4	> 80	≥0.9
PW-240-AH-NW-ZZ	3800-4200K	Neutral white	27600/27300							
PW-240-AH-WW-ZZ	2700-3200K	Warm white	26280/26000							
PW-300-AH-W-ZZ	5500-6500K	White	34250/32840	60° /90°	SMD2835	AC200-240V 50/60Hz	300	1.8	> 80	≥0.9
PW-300-AH-NW-ZZ	3800-4200K	Neutral white	32620/31270							
PW-300-AH-WW-ZZ	2700-3200K	Warm white	31070/29780							
PW-380-AH-W-ZZ	5500-6500K	White	46430/44930	60° /90°	SMD2835	AC200-240V 50/60Hz	380	2.2	> 80	≥0.9
PW-380-AH-NW-ZZ	3800-4200K	Neutral white	44220/42790							
PW-380-AH-WW-ZZ	2700-3200K	Warm white	42120/40750							
PW-450-AH-W-ZZ	5500-6500K	White	55830/53270	60° /90°	SMD2835	AC200-240V 50/60Hz	450	2.5	> 80	≥0.9
PW-450-AH-NW-ZZ	3800-4200K	Neutral white	53170/50730							
PW-450-AH-WW-ZZ	2700-3200K	Warm white	50640/48310							

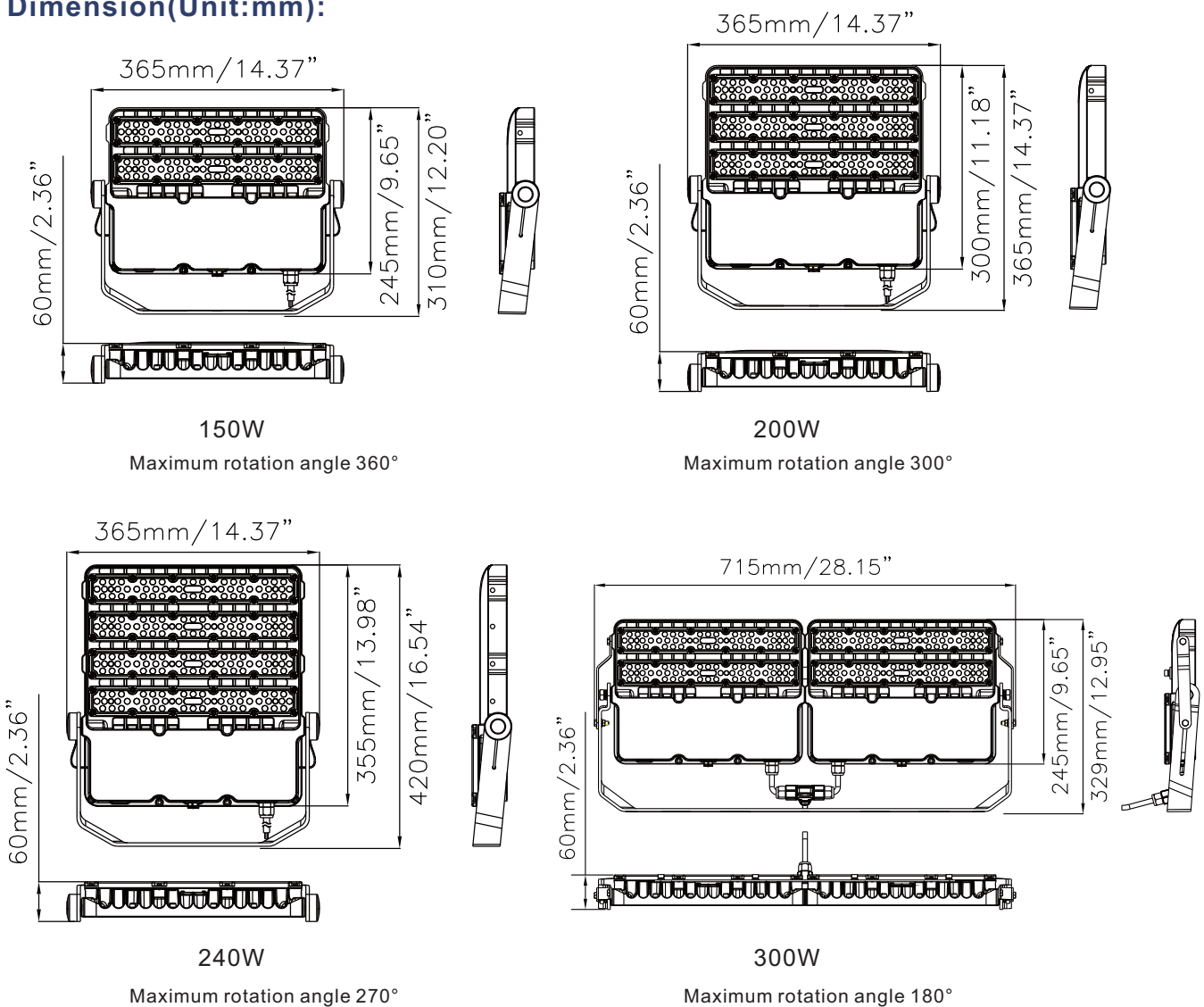


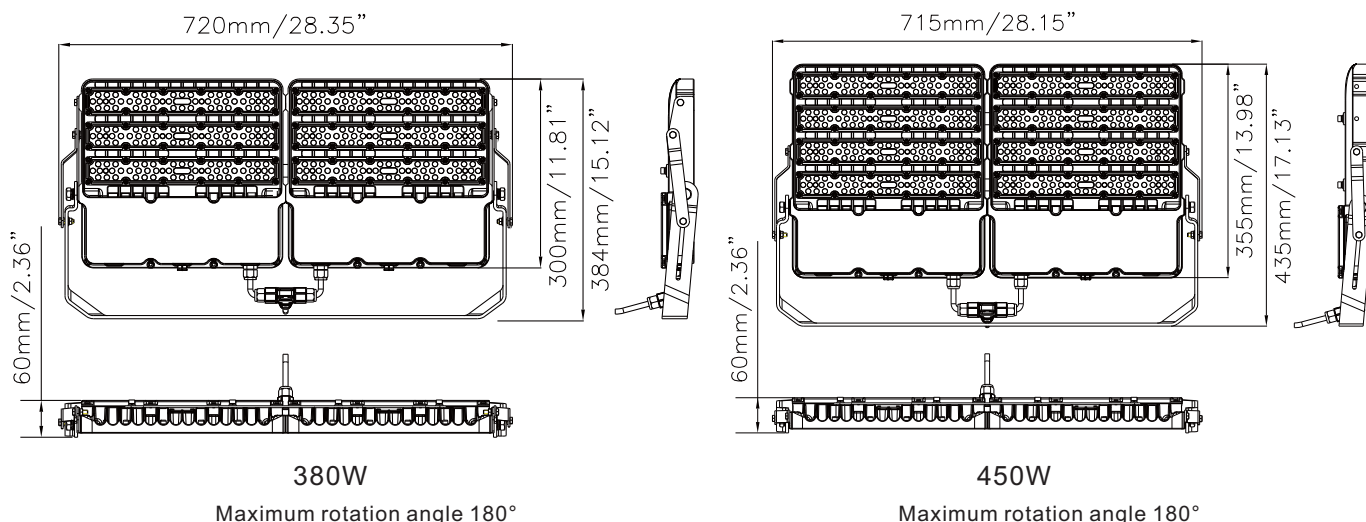
Application:

Mainly applied in outdoor flood lighting, building decoration, industry, sports center, outdoor stadium, parking lot lighting, and also can be used as roadway lighting.

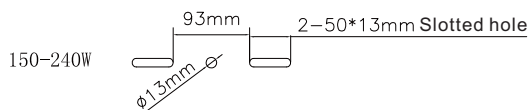


Dimension(Unit:mm):

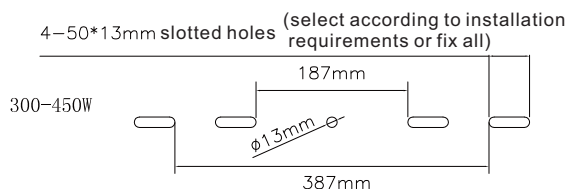
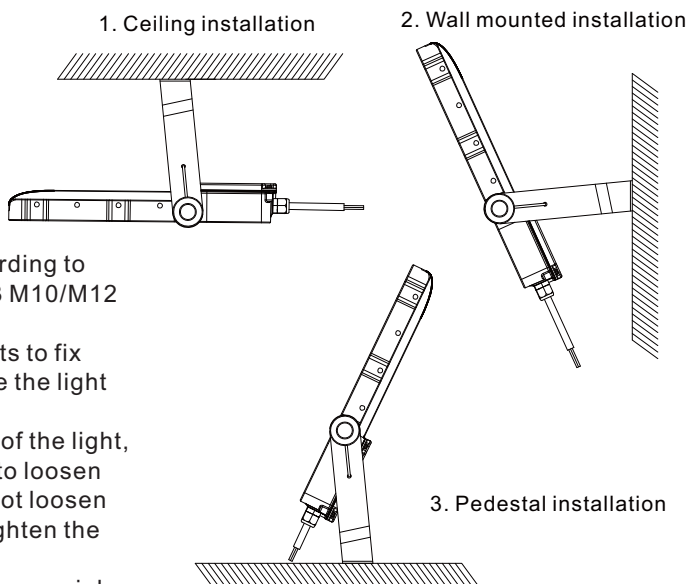




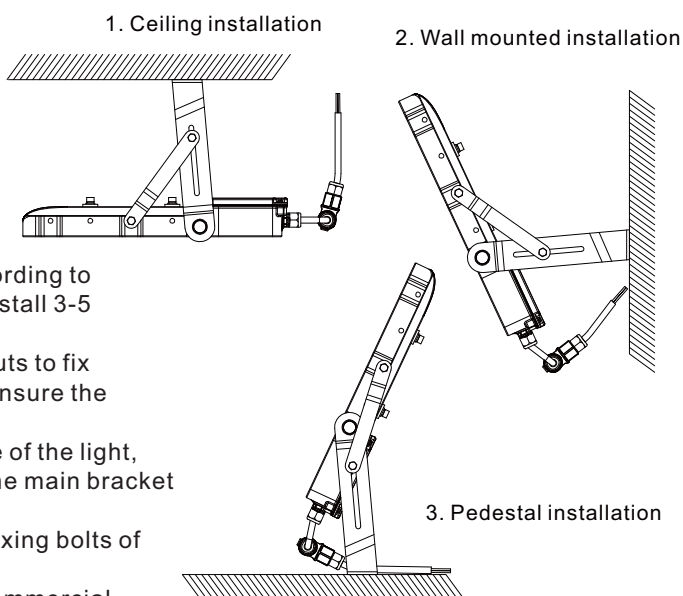
Installation:



- Step 1: Bore holes on the installation surface according to installation hole position on the bracket to install 3 M10/M12 expansion bolts.
- Step 2: Install flat washers, spring washers and nuts to fix and tight the bracket and expansion bolts to ensure the light is installed reliably.
- Step 3: If it is necessary to adjust irradiation angle of the light, open the protective cover of the bracket bolts first to loosen the fixing bolts of the brackets one to two circles (not loosen too much). After proper adjustment of the angle, tighten the fixing bolts and replace the protective cover.
- Step 4: Connect the power cord of the light with commercial power. Waterproof sealing for the joint should be carried properly.



- Step 1: bore holes on the installation surface according to installation hole position on the main bracket to install 3-5 M10/M12 expansion bolts.
- Step 2: Install flat washers, spring washers and nuts to fix and tight the min bracket and expansion bolts to ensure the light is installed reliably.
- Step 3: If it is necessary to adjust irradiation angle of the light, loosen the fixing bolts of the auxiliary bracket o the main bracket 1-2 circles (not loosen too much). After proper adjustment of the angle, tighten the fixing bolts of the main bracket and auxiliary bracket.
- Step 4: Connect the power cord of the light with commercial power. Waterproof sealing for the joint should be carried properly.





Installation requirement:

1. Please prepare two sets of bolts to install the light;
2. Power off before installation;
3. Make sure the installed surface can endure the weight of light, and fix the light on the installed surface securely (according to installation diagram);
4. Connect light wire to power wire, seal the joint with insulation.
5. Must be reliable grounding.

Packing information:

Power	Net weight	Gross weight	Outer carton dimension	Total weight
150W	4kg	4.4kg	393*190*375mm(2 pcs/carton)	8.8Kg
200W	4.8kg	5.3kg	393*190*430mm (2 pcs/carton)	10.6Kg
240W	5.5kg	6kg	393*190*485mm (2 pcs/carton)	12kg
300W	8.6kg	9.4kg	721*102*398mm (1 pcs/carton)	9.4kg
380W	10.3kg	11.2kg	721*102*428mm (1 pcs/carton)	11.2kg
450W	11.6kg	12.6kg	721*102*508mm (1 pcs/carton)	12.6kg

Notice:

1. Please first read the product specification carefully, make sure the using environment conform to specification, then it can be used;
2. Please confirm the input voltage, frequency before use;
3. This product must be installed by professionals;
4. If there is any damage to the power wire or shell of the product, it should be taken as defective product and do not use it;
5. Dangerous high voltage, non-professionals are not allowed to maintain the product;
6. If external soft cable or soft wire of the light is damaged, it should be replaced by manufacturer or service agent or personnel with similar qualification to avoid danger;
7. Corrosivity in the using environment can't exceed the anti-corrosion grade regulation, if you have special requirement, please first consult with our company.