

Medium-power Tri-proof Lamp NOC Series(ordinary type)

TPNCXX-010/020/025/040/050-AW-YY-ZZ

ArcS II NOC



Description:

Tri-proof light is usually used in environment which require water-proof, dust-proof, slight corrosion-proof lighting;and it is widely used in warehouse, parking lot,food field,dust field,cold storage and other places. Medium-power tri-proof light can be ceiling mounted or suspending mounted;it employ PC as eco-friendly material, and it can work stably in different environment; LED lifetime:50,000 hours.

Features:

1. Cover on back, and reserve terminals, convenient to install and connect wire;
2. No buckle, beautiful appearance;
3. Add protective ring and scratch-resistant wire to DC;
4. Milky white cover and transparent cover optional;
5. Cover of high transmittance,high lighting effect, uniform and soft light;
- 6.PC cover,impact resistance,IK08;
- 7.Operating environment temperature:-20°C - 35°C;
- 8.Corrosion-proof grade: slight protection.

Technical parameters:

| Model | CCT | Color | Lumen(lm) (±10%) | Beam angle | LEDs Type | Voltage frequency | Power ^(w) (±10%) | Max. current (A) | CRI | PF |
|---------------------|------------|------------------|---------------------|---------------|-----------|-----------------------|--------------------------------|------------------------|-----|------|
| TPNC06-010-AW-W-01 | 5700-6300K | white | 1100 | 120° | SMD2835 | AC100-240V 50/60Hz | 10 | 0.15A | ≥80 | ≥0.9 |
| TPNC06-010-AW-NW-01 | 3800-4200K | neutral white | 1080 | 120° | | | | | | |
| TPNC06-010-AW-WW-01 | 2700-3200K | warm white | 1040 | 120° | | | | | | |
| TPNC06-010-AW-W-02 | 5700-6300K | white | 1050 | 120° | | | | | | |
| TPNC06-010-AW-NW-02 | 3800-4200K | neutral white | 1030 | 120° | | | | | | |
| TPNC06-010-AW-WW-02 | 2700-3200K | warm white | 990 | 120° | | | | | | |
| TPNC06-020-AW-W-01 | 5700-6300K | white | 2210 | 120° | SMD2835 | AC100-240V 50/60Hz | 20 | 0.30A | ≥80 | ≥0.9 |
| TPNC06-020-AW-NW-01 | 3800-4200K | neutral white | 2160 | 120° | | | | | | |
| TPNC06-020-AW-WW-01 | 2700-3200K | warm white | 2080 | 120° | | | | | | |
| TPNC06-020-AW-W-02 | 5700-6300K | white | 2100 | 120° | | | | | | |
| TPNC06-020-AW-NW-02 | 3800-4200K | neutral white | 2060 | 120° | | | | | | |
| TPNC06-020-AW-WW-02 | 2700-3200K | warm white | 1980 | 120° | | | | | | |
| TPNC12-020-AW-W-01 | 5700-6300K | white | 2200 | 120° | SMD2835 | AC100-240V 50/60Hz | 20 | 0.30A | ≥80 | ≥0.9 |
| TPNC12-020-AW-NW-01 | 3800-4200K | neutral white | 2160 | 120° | | | | | | |
| TPNC12-020-AW-WW-01 | 2700-3200K | warm white | 2080 | 120° | | | | | | |
| TPNC12-020-AW-W-02 | 5700-6300K | white | 2100 | 120° | | | | | | |
| TPNC12-020-AW-NW-02 | 3800-4200K | neutral white | 2060 | 120° | | | | | | |
| TPNC12-020-AW-WW-02 | 2700-3200K | warm white | 1980 | 120° | | | | | | |
| TPNC12-040-AW-W-01 | 5700-6300K | white | 4410 | 120° | SMD2835 | AC100-240V 50/60Hz | 40 | 0.50A | ≥80 | ≥0.9 |
| TPNC12-040-AW-NW-01 | 3800-4200K | neutral white | 4330 | 120° | | | | | | |
| TPNC12-040-AW-WW-01 | 2700-3200K | warm white | 4160 | 120° | | | | | | |
| TPNC12-040-AW-W-02 | 5700-6300K | white | 4200 | 120° | | | | | | |
| TPNC12-040-AW-NW-02 | 3800-4200K | neutral white | 4120 | 120° | | | | | | |
| TPNC12-040-AW-WW-02 | 2700-3200K | warm white | 3950 | 120° | | | | | | |
| TPNC15-025-AW-W-01 | 5700-6300K | white | 2760 | 120° | SMD2835 | AC100-240V 50/60Hz | 25 | 0.35A | ≥80 | ≥0.9 |
| TPNC15-025-AW-NW-01 | 3800-4200K | neutral white | 2700 | 120° | | | | | | |
| TPNC15-025-AW-WW-01 | 2700-3200K | warm white | 2600 | 120° | | | | | | |
| TPNC15-025-AW-W-02 | 5700-6300K | white | 2630 | 120° | | | | | | |
| TPNC15-025-AW-NW-02 | 3800-4200K | neutral white | 2580 | 120° | | | | | | |
| TPNC15-025-AW-WW-02 | 2700-3200K | warm white | 2470 | 120° | | | | | | |
| TPNC15-050-AW-W-01 | 5700-6300K | white | 5510 | 120° | SMD2835 | AC100-240V 50/60Hz | 50 | 0.60A | ≥80 | ≥0.9 |
| TPNC15-050-AW-NW-01 | 3800-4200K | neutral white | 5400 | 120° | | | | | | |
| TPNC15-050-AW-WW-01 | 2700-3200K | warm white | 5120 | 120° | | | | | | |
| TPNC15-050-AW-W-02 | 5700-6300K | white | 5250 | 120° | | | | | | |
| TPNC15-050-AW-NW-02 | 3800-4200K | neutral white | 5150 | 120° | | | | | | |
| TPNC15-050-AW-WW-02 | 2700-3200K | warm white | 4940 | 120° | | | | | | |

01= Normal transparent lamp cover series

02= Normal milky lamp cover series

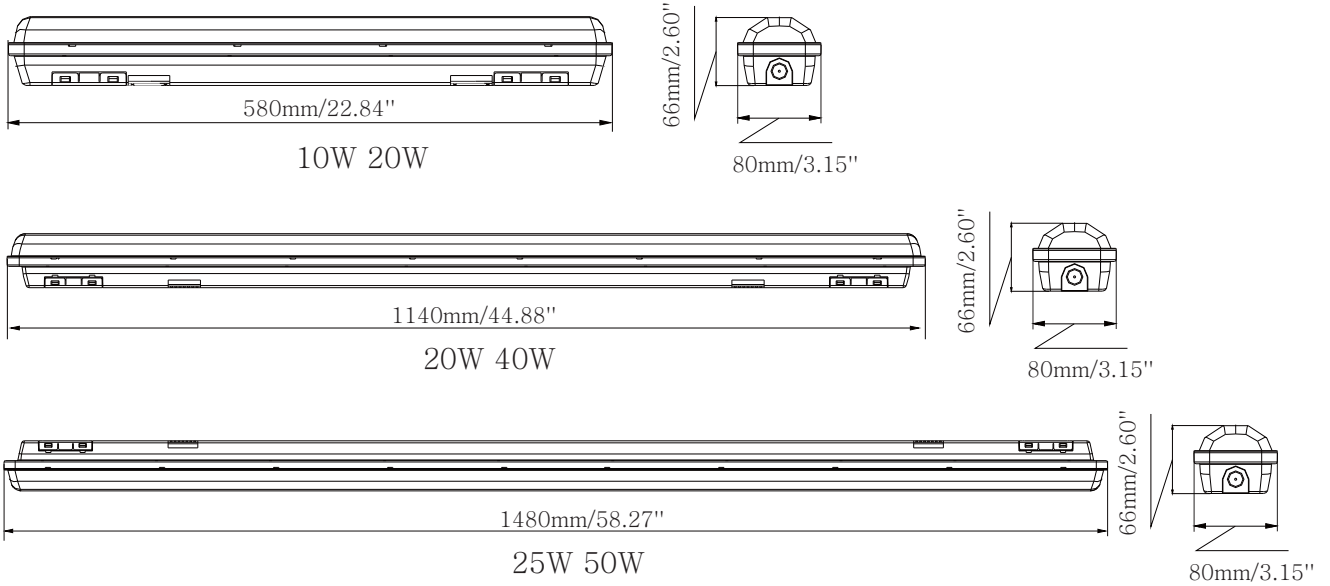
Main application:

Tri-proof light can be used in warehouse, parking lot, food field, dust field, cold storage and other places.



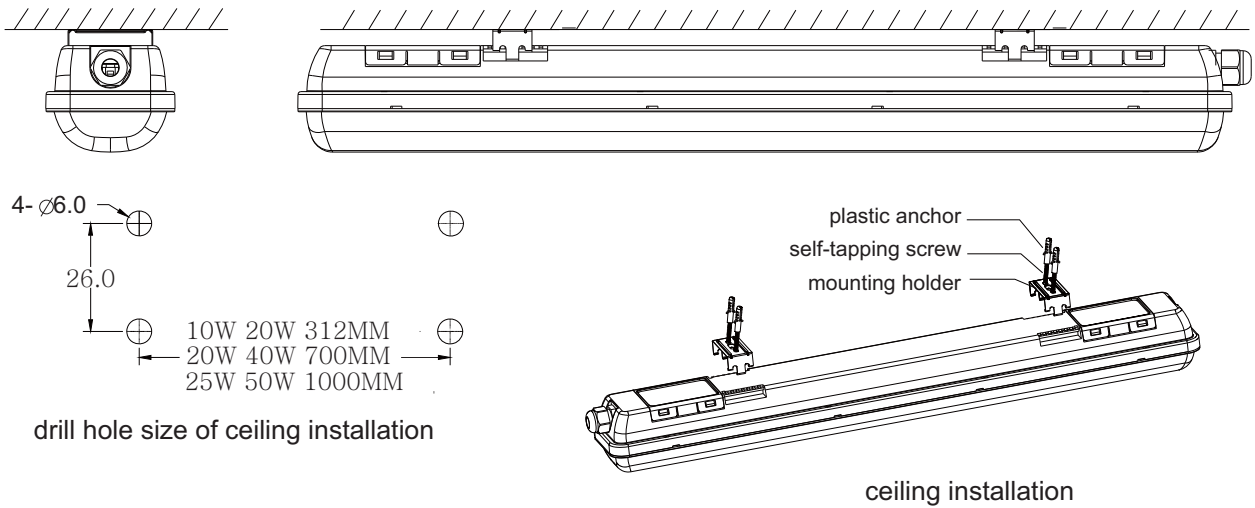


Dimension(Unit:mm):

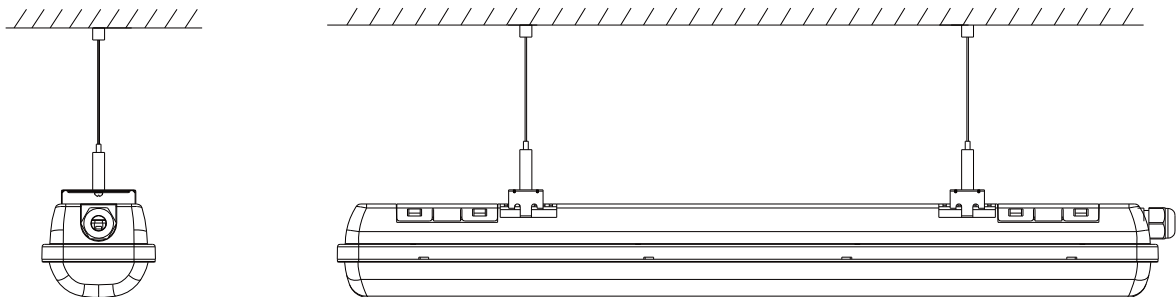


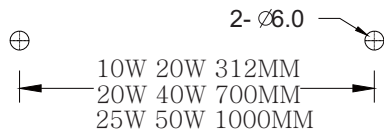
Installation figure:

Ceiling installation A

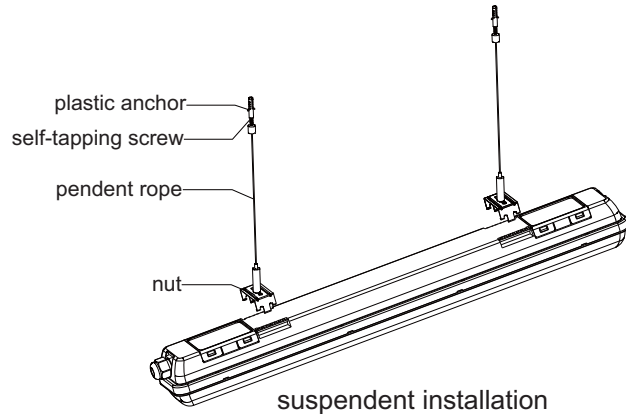


Suspendent installation B





drill hole size of suspending installation



suspending installation

Package information:

| Dimension | Inner packaging dimension | Outer carton dimension | Net weight | Gross weight | Qty. |
|-----------|---------------------------|------------------------|------------|--------------|-------------|
| 0.6M | 10W 20W: 615*78*72mm | 20W: 630*250*235mm | 0.60Kg | 0.80Kg | 9pcs/Carton |
| 1.2M | 20W 40W: 1175*78*72mm | 40W: 1190*250*235mm | 1.00Kg | 1.30Kg | 9pcs/Carton |
| 1.5M | 25W 50W: 515*78*72mm | 50W: 1530*250*235mm | 1.30Kg | 1.60kg | 9pcs/Carton |

Installation requirement:

- 1.Power off before installation;
- 2.The input cable through the waterproof connector, and then the input thread and wiring terminals combined, and ensure reliable contact
- 3.Close the cover of the bottom case
- 4.Choose ceiling installation, fix ceiling bracket on the installation surface via self-tapping screws and flat gasket, then snap the lamp body into bracket;
- 5.If you choose suspension installation, please first fix the steel wire on the installation surface, and fix the wire lock on bracket with nut, then snap the lamp body into bracket, finally adjust the length of steel wire.

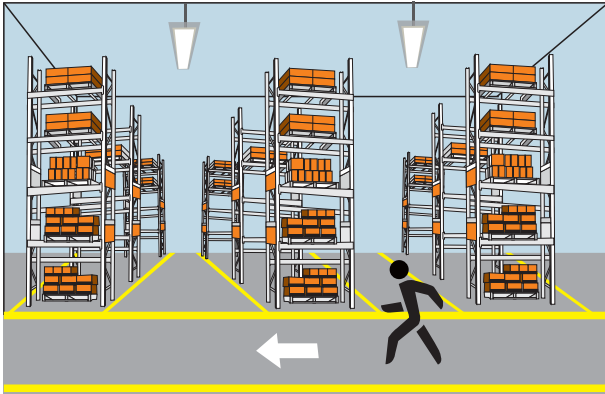
! Notice:

- 1.Please first read the product specification carefully, make sure the using environment conform to specification, then it can be used;
- 2.Please confirm input voltage,frequency before use;
- 3.The lamp must be installed by professionals;
- 4.If there is any damage to the power wire or shell of the product, it should be taken as defective product and do not use it;
5. Dangerous high voltage,non-professionals are not allowed to maintain the product;
6. If external soft cable or soft wire of the light is damaged, it should be replaced by manufacturer or service agent or personnel with similar qualification to avoid danger;
7. When connect wire of AC, the terminal shouldn't press to external skin to ensure good contact;
8. Please do not let water enter the interior, please do not collide with the LEDs' surface;
9. Corrosivity in the using environment can't exceed the anti-corrosion grade regulation, if you have special requirement, please first consult with our company.
- 10.Can not be installed side by side.
- 11.Can not be used outdoors.

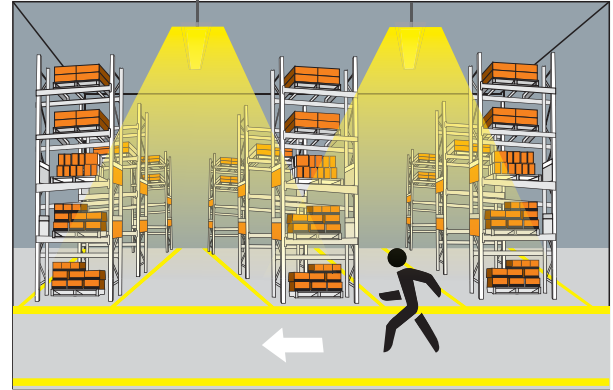


Sensing function description

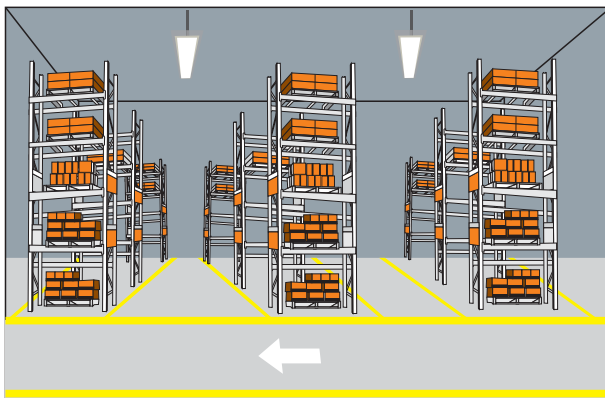
1. Brightness control, the lamp won't switch on when environment brightness is higher than set point.
2. Motion detection, Adopt microwave detecting signal, it won't be affected by noise, temperature and humidity, motion can be detected through plastic, glass and thin non-metal materials.



When ambient brightness is higher than 50Lux, even there is moving objects, the lamp will not be on.



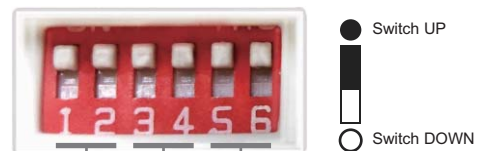
When ambient brightness is lower than 50Lux, if motion is detected, the lamp switches on and keep 5 minutes.



If there is no moving objects, 5 minutes later, the lamp switches off.

Application function Settings

After open the lampshade, the sensor fixed on the PCB can be seen, and there are DIP switches on the sensor, the corresponding function parameters can be adjusted by combining DIP switches.



factory setting

Detection area: 100%
 Hold-time: 5min
 Daylight sensor: 50Lux

| | | |
|---|---|------|
| ● | ● | 100% |
| ○ | ● | 75% |
| ● | ○ | 50% |
| ○ | ○ | 10% |

Detection area, can be reduced by selection the combination on the DIP switches to fit precisely each application.

| | | |
|---|---|-------|
| ● | ● | 5s |
| ○ | ● | 90s |
| ● | ○ | 5min |
| ○ | ○ | 15min |

Hold-time, refers to the time period the lamp remains at 100% illumination after no motion detected.

| | | |
|---|---|---------|
| ● | ● | Disable |
| ○ | ● | 50lux |
| ● | ○ | 10lux |
| ○ | ○ | 2lux |

Daylight sensor, the sensor can be set to only allow the lamp to illuminate below a defined ambient brightness threshold.



With Sensor series Technical parameters:

| Model | CCT | Color | Lumen(lm) (±10%) | Beam angle | LEDs Type | Voltage frequency | Power(w) (±10%) | Max. current (A) | CRI | PF |
|----------------------|------------|---------------|---------------------|------------|-----------|-----------------------|--------------------|------------------|-----|------|
| TPNC06-010-AW-W-S01 | 5700-6300K | white | 1100 | 120° | SMD2835 | AC100-240V 50/60Hz | 10 | 0.15A | ≥80 | ≥0.9 |
| TPNC06-010-AW-NW-S01 | 3800-4200K | neutral white | 1080 | 120° | | | | | | |
| TPNC06-010-AW-WW-S01 | 2700-3200K | warm white | 1040 | 120° | | | | | | |
| TPNC06-010-AW-W-S02 | 5700-6300K | white | 1050 | 120° | | | | | | |
| TPNC06-010-AW-NW-S02 | 3800-4200K | neutral white | 1030 | 120° | | | | | | |
| TPNC06-010-AW-WW-S02 | 2700-3200K | warm white | 990 | 120° | | | | | | |
| TPNC06-020-AW-W-S01 | 5700-6300K | white | 2210 | 120° | SMD2835 | AC100-240V 50/60Hz | 20 | 0.30A | ≥80 | ≥0.9 |
| TPNC06-020-AW-NW-S01 | 3800-4200K | neutral white | 2160 | 120° | | | | | | |
| TPNC06-020-AW-WW-S01 | 2700-3200K | warm white | 2080 | 120° | | | | | | |
| TPNC06-020-AW-W-S02 | 5700-6300K | white | 2100 | 120° | | | | | | |
| TPNC06-020-AW-NW-S02 | 3800-4200K | neutral white | 2060 | 120° | | | | | | |
| TPNC06-020-AW-WW-S02 | 2700-3200K | warm white | 1980 | 120° | | | | | | |
| TPNC12-020-AW-W-S01 | 5700-6300K | white | 2200 | 120° | SMD2835 | AC100-240V 50/60Hz | 20 | 0.30A | ≥80 | ≥0.9 |
| TPNC12-020-AW-NW-S01 | 3800-4200K | neutral white | 2160 | 120° | | | | | | |
| TPNC12-020-AW-WW-S01 | 2700-3200K | warm white | 2080 | 120° | | | | | | |
| TPNC12-020-AW-W-S02 | 5700-6300K | white | 2100 | 120° | | | | | | |
| TPNC12-020-AW-NW-S02 | 3800-4200K | neutral white | 2060 | 120° | | | | | | |
| TPNC12-020-AW-WW-S02 | 2700-3200K | warm white | 1980 | 120° | | | | | | |
| TPNC12-040-AW-W-S01 | 5700-6300K | white | 4410 | 120° | SMD2835 | AC100-240V 50/60Hz | 40 | 0.50A | ≥80 | ≥0.9 |
| TPNC12-040-AW-NW-S01 | 3800-4200K | neutral white | 4330 | 120° | | | | | | |
| TPNC12-040-AW-WW-S01 | 2700-3200K | warm white | 4160 | 120° | | | | | | |
| TPNC12-040-AW-W-S02 | 5700-6300K | white | 4200 | 120° | | | | | | |
| TPNC12-040-AW-NW-S02 | 3800-4200K | neutral white | 4120 | 120° | | | | | | |
| TPNC12-040-AW-WW-S02 | 2700-3200K | warm white | 3950 | 120° | | | | | | |
| TPNC15-025-AW-W-S01 | 5700-6300K | white | 2760 | 120° | SMD2835 | AC100-240V 50/60Hz | 25 | 0.35A | ≥80 | ≥0.9 |
| TPNC15-025-AW-NW-S01 | 3800-4200K | neutral white | 2700 | 120° | | | | | | |
| TPNC15-025-AW-WW-S01 | 2700-3200K | warm white | 2600 | 120° | | | | | | |
| TPNC15-025-AW-W-S02 | 5700-6300K | white | 2630 | 120° | | | | | | |
| TPNC15-025-AW-NW-S02 | 3800-4200K | neutral white | 2580 | 120° | | | | | | |
| TPNC15-025-AW-WW-S02 | 2700-3200K | warm white | 2470 | 120° | | | | | | |
| TPNC15-050-AW-W-S01 | 5700-6300K | white | 5510 | 120° | SMD2835 | AC100-240V 50/60Hz | 50 | 0.60A | ≥80 | ≥0.9 |
| TPNC15-050-AW-NW-S01 | 3800-4200K | neutral white | 5400 | 120° | | | | | | |
| TPNC15-050-AW-WW-S01 | 2700-3200K | warm white | 5120 | 120° | | | | | | |
| TPNC15-050-AW-W-S02 | 5700-6300K | white | 5250 | 120° | | | | | | |
| TPNC15-050-AW-NW-S02 | 3800-4200K | neutral white | 5150 | 120° | | | | | | |
| TPNC15-050-AW-WW-S02 | 2700-3200K | warm white | 4940 | 120° | | | | | | |

01= Normal transparent lamp cover series

02= Normal milky lamp cover series

Detection Pattern

Note!

Ceiling mounting suggested installation height 2~5m.

