



IP65 Gapless Lightbar

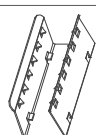
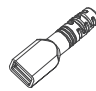


SC-WHL-W/NW/WW



Features:

- 1.WHLwaterproof lightbar is commonly used in outdoor landscape;
- 2.Adopt design of gapless joint and wire hidden in the back, and the lightbar can meet gapless joint;
- 3.Small size,conform installation requirement of outdoor landscape lamp in high building;
- 4.Easy installation mounting clamp,can clamp at any position of LED strip,and can be installed at any angle;the mounting clamp can resist 15KG tension,and it is pulling-resistant and waterproof;
- 5.High impact resistance,excellent waterproof performance up to IP65;
- 6.Small CCT drift, 2835 LEDs,uniform luminous surface,dot-free illumination ;
7. High efficient cooling design, high stability of continuous working;
- 8.Compact appearance,easy to install and transport.

Accessories:

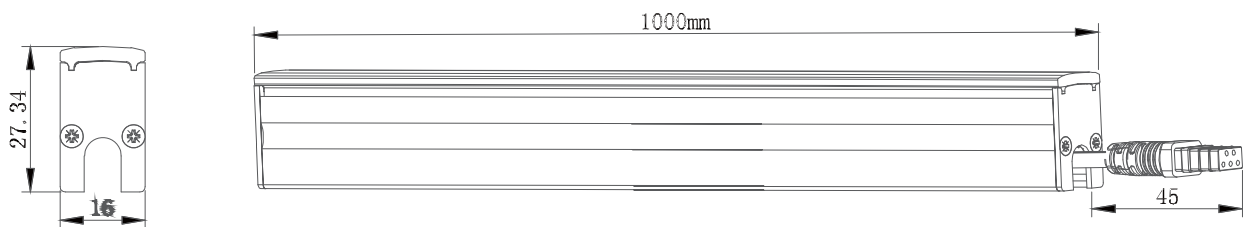
Name	Drawing	Qty.	Name	Drawing	Qty.
mounting clamp		2PCS	waterproof end cap		1PCS
wire		1PCS	waterproof O ring		2PCS



Technical parameters :

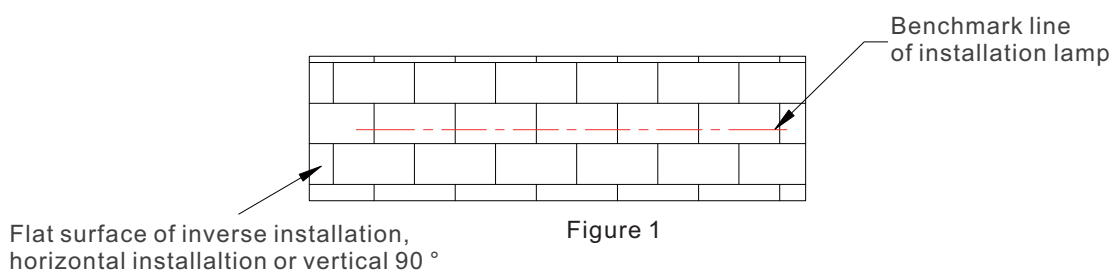
Model	Colour	Lumen	LED Type	LED Qty. (leds/m)	Max.Length (m)	DC Voltage (V)	Rated Watt (w/m)	CRI	IP
SC-WHL-W	White	817	2835	120	5	24	10.8	>80	65
SC-WHL-WW	Neutral White	788	2835	120	5	24	10.8	>80	65
SC-WHL-NW	Warm White	787	2835	120	5	24	10.8	>80	65

Dimension Drawings:

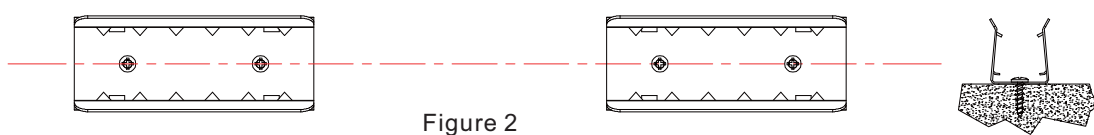


Installation Diagram:

Step1: Pull a stright line as figure 1;

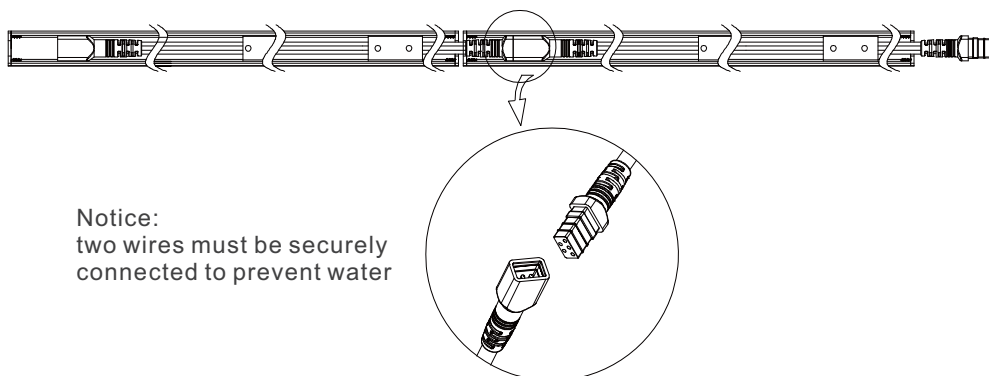


Step2:Fasten mounting clamp on the benchmark line ,and suggest keeping distance between two mounting clamps $\geq 65\text{cm}$,and the distances depend on the practical situation,as figure 2;





Step3: Joint wires of LED strip back, as figure3:



Notice:
two wires must be securely
connected to prevent water

Figure 3

Step: snap the LED strip into mounting clamp, as figure4;

Notice:
the LED strip must be snapped in place, and bottom of LED strip
must be fitted closely with bossing part of mounting clamp bottom.

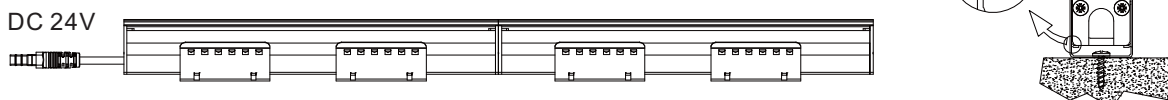
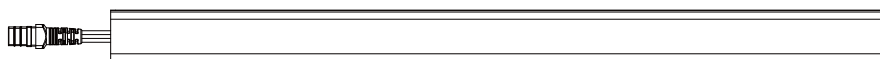
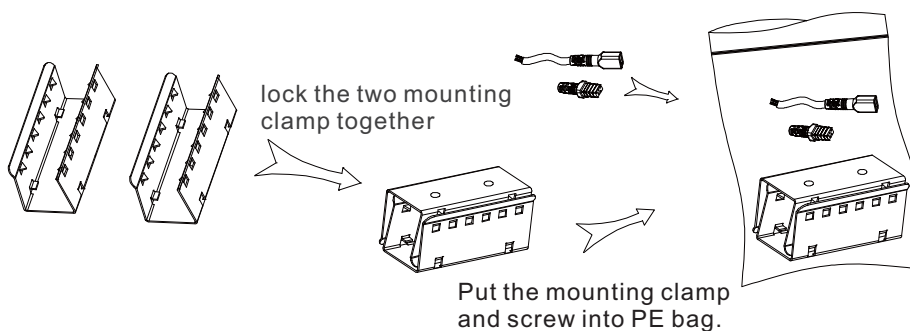
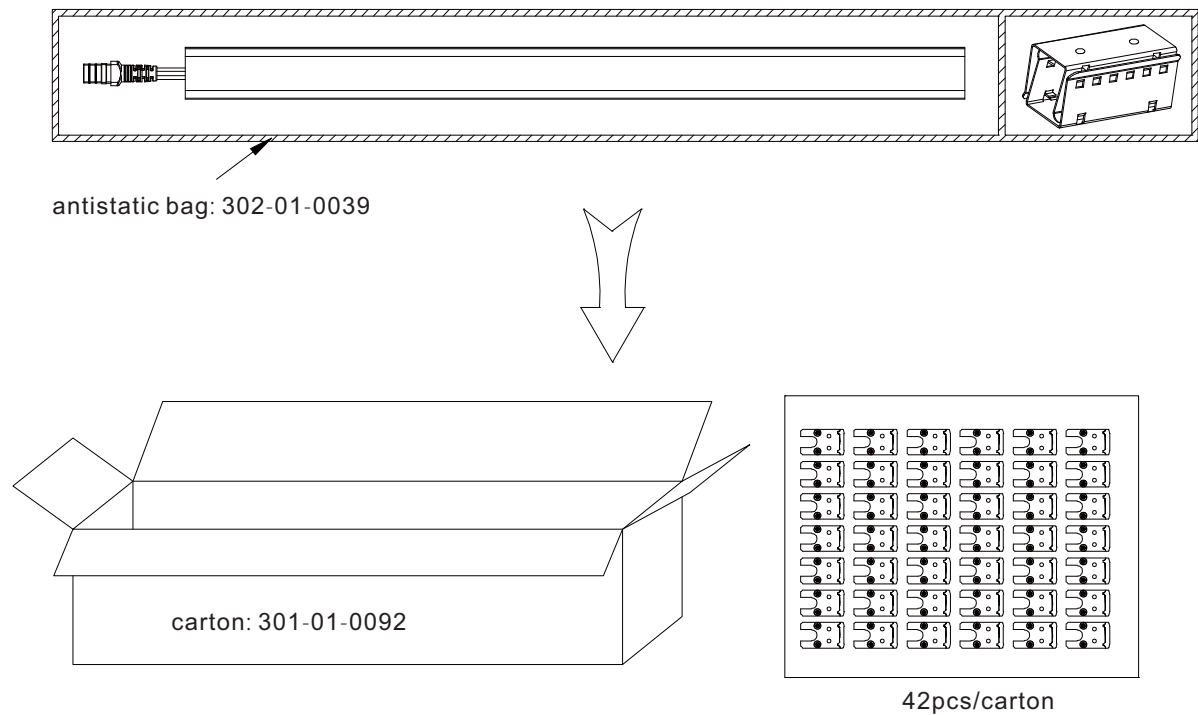


Figure 4

Packing instruction:





Installation requirement:

1. Please read the product specification carefully, make sure operating environment conform to condition in specification, then it can be used;
2. Please don't scrape the glue on the two sides to prevent water entering;
3. The wire must be solidly connected to prevent water entering;
4. The aluminum slot must be pressed in place to prevent losing;
5. Correct electrical polarity needs to be observed. Wrong polarity may destroy the strip.
6. Confirm input voltage before using and power off;
7. Pay attention to the standard ESD precautions when installing the strip.
8. The length of serial connection can't exceed 5m.