

# SC-IB

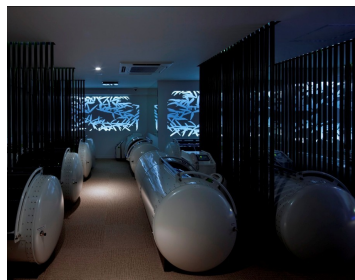


## Application

- ※ Cove lighting
- ※ Architectural lights for canopy, corridor, window, archway
- ※ Backlight or edge lighting for signage
- ※ DIY lights for home use
- ※ Path and contour marking
- ※ Decorative lights for holiday, event, show, exhibition

## Great advantages

- ※ Eco friendly
- ※ Long life span, standard warranty 1 years
- ※ Complete cut / connection accessories
- ※ No need of constant-current power feed
- ※ Low power consumption
- ※ Custom packing



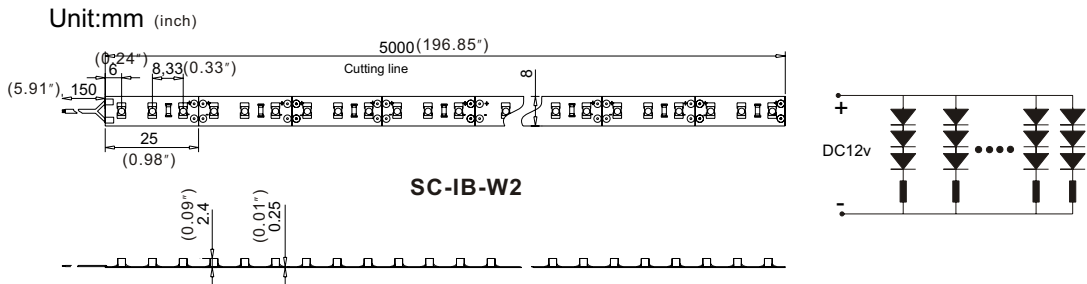
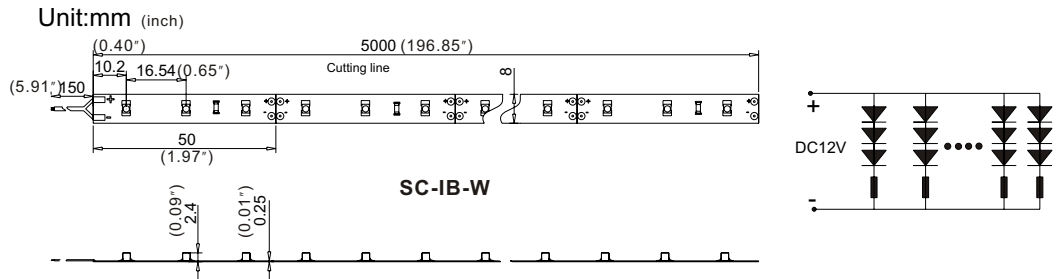
## Technical parameters



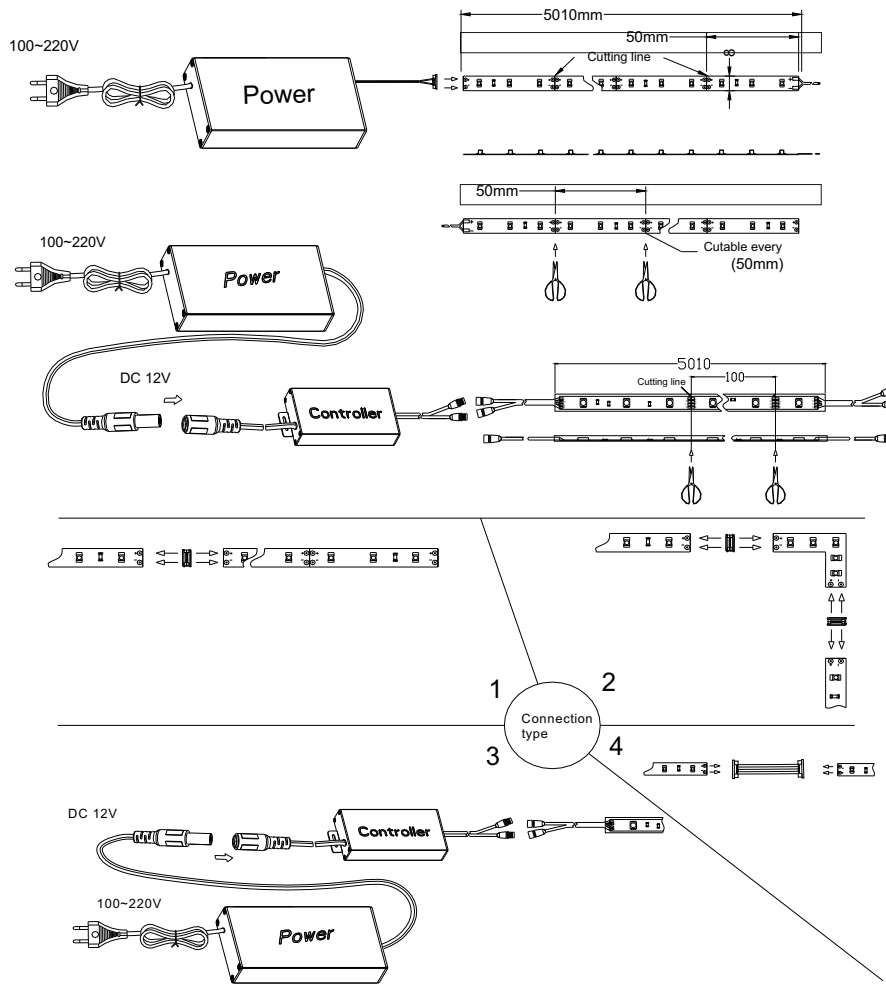
Model Number	Color	Length (m)	LED Q'ty	LED Type	Light Output (lumen/m)	Beam Angle (degrees)	Voltage (V DC)	Current (Amps/m)	Max. Power Consumption (W/m)	IP	Continuous Connection (m)
SC-IB-NW	Natural White	5	300	3528 SMD LED	330	120	12	0.4	4.8	20	10
SC-IB-W	White	5	300		390	120	12	0.4	4.8	20	10
SC-IB-WW	Warm White	5	300		320	120	12	0.4	4.8	20	10
SC-IB-R	Red	5	300		90	120	12	0.4	4.8	20	10
SC-IB-G	Green	5	300		200	120	12	0.4	4.8	20	10
SC-IB-B	Blue	5	300		80	120	12	0.4	4.8	20	10
SC-IB-Y	Yellow	5	300		90	120	12	0.4	4.8	20	10
SC-IB-NW2	Natural White	5	600		640	120	12	0.8	9.6	20	5
SC-IB-W2	White	5	600		780	120	12	0.8	9.6	20	5
SC-IB-WW2	Warm White	5	600		660	120	12	0.8	9.6	20	5
SC-IB-R2	Red	5	600		170	120	12	0.8	9.6	20	5
SC-IB-G2	Green	5	600		400	120	12	0.8	9.6	20	5
SC-IB-B2	Blue	5	600		160	120	12	0.8	9.6	20	5
SC-IB-Y2	Yellow	5	600		180	120	12	0.8	9.6	20	5
SC-IB-RGB	RGB	5	150	5050 SMD LED	230	120	12	0.6	7.2	20	10
SC-IB-RGB2	RGB	5	300		470	120	12	1.2	14.4	20	5

IB sery also have dampproof versions-epoxy/glue gotted and silicon sleeved

## Dimension&Circuit drawings



## Linking operation

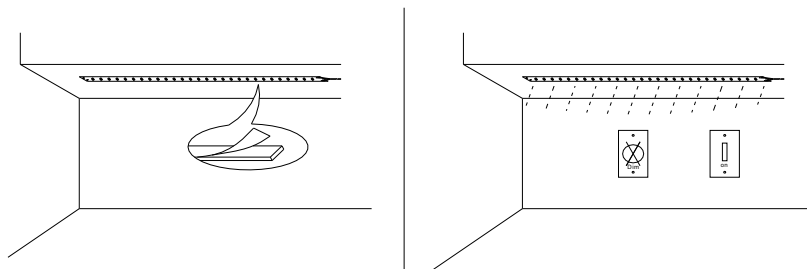


## Safety Information

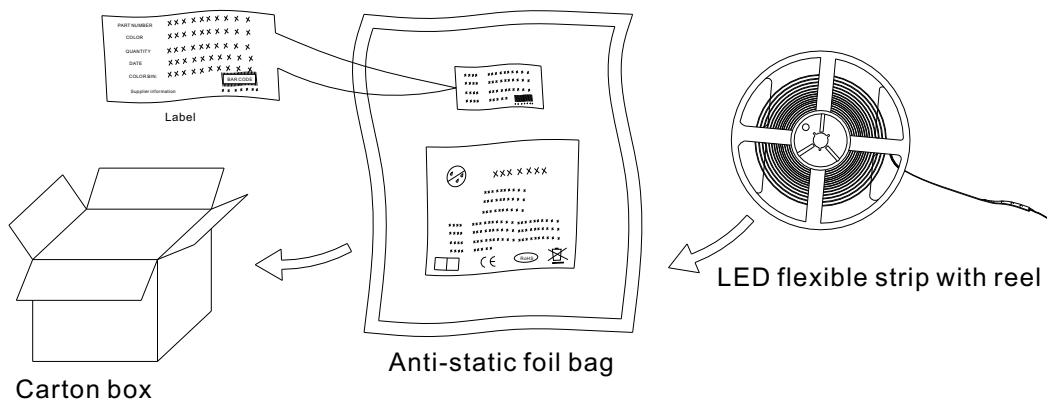
- The strip itself and all its components may not be mechanically stressed.
- Assembly must not damage or destroy conducting paths on the circuit board.
- Installation of LED ribbon (with power supplies) needs to be made with regard to all applicable electrical and safety standards. Only qualified personnel should be allowed to perform installations.
- Correct electrical polarity needs to be observed. Wrong polarity may destroy the strip.
- Parallel connection is highly recommended as safe electrical operation mode.
- Serial connection is not recommended. Unbalanced voltage drop can cause hazardous overload and damage the strip.
- Please ensure that the power supply is of adapters power to operate the total load.
- When mounting on metallic or otherwise conductive surfaces, there needs to be an electrical isolation points between strip and the mounting surface.
- Pay attention to standard ESD precautions when installing the strip.
- Damaged by corrosion will not be honored as a materials defect claim.

It is the user's responsibility to provide suitable protection against corrosive agents such as moisture and condensation and other harmful elements.

### Installation



### ※ Packing information



### ※ Connectors

