

LED Motion Security Lights



Description

- LED energy-saving lamp is made with high brightness white light-emitting diode light source, it matches a motion sensor, detect distance adjustable up to 40ft, and integrated dusk to dawn photocell. Build-in PIR sensor , but for that, if don't need motion sensor, it is also viable.

Features

- Replace Halogen and save 80% energy
- High quality SMD 2835 LEDs with uniform illumination
- Excellent thermal design with plastic-packed aluminum structure
- Pivoting Arm allows directional lighting
- Easy to mount with Canopy
- Outdoor wet location rated IP65
- Motion sensor adjustable lux, and sensing distance, time can be set by customer

Technical parameters

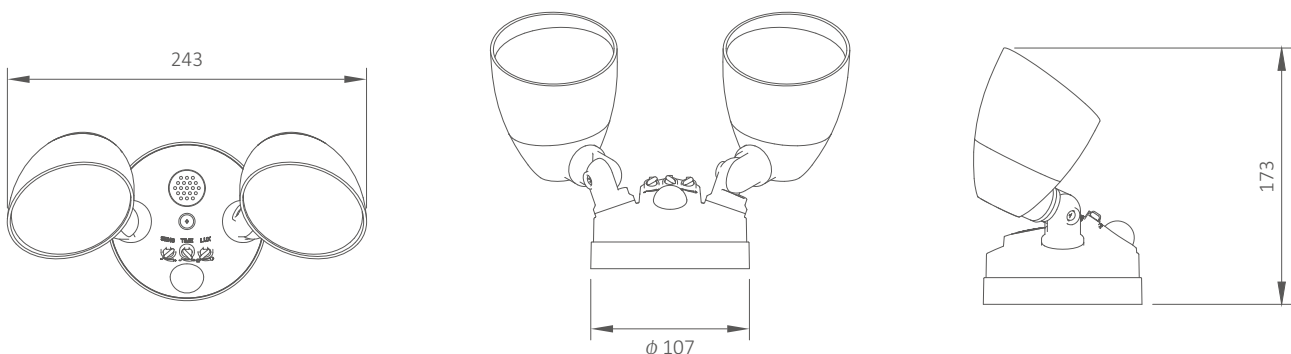
Model	Power	Lumen	LED Qty	CCT	Lighting effect	CRI	Beam angle	Detection range	Detection distance	Input voltage
SEC02-020-AW-WW-02	10W x 2	1800LM	44pcs	3000K 4000K 5000K 6000K	90LM/W	≥80	100°	150°/270° optional	Max. 10m, adjustable	100-277V 50/60Hz

Application

- Mainly used for lighting in the corridors, side walls and portal of retail market of America, small supermarkets, storage rooms, library, etc. The applicable scope is very wide.



Dimensions (unit: mm)



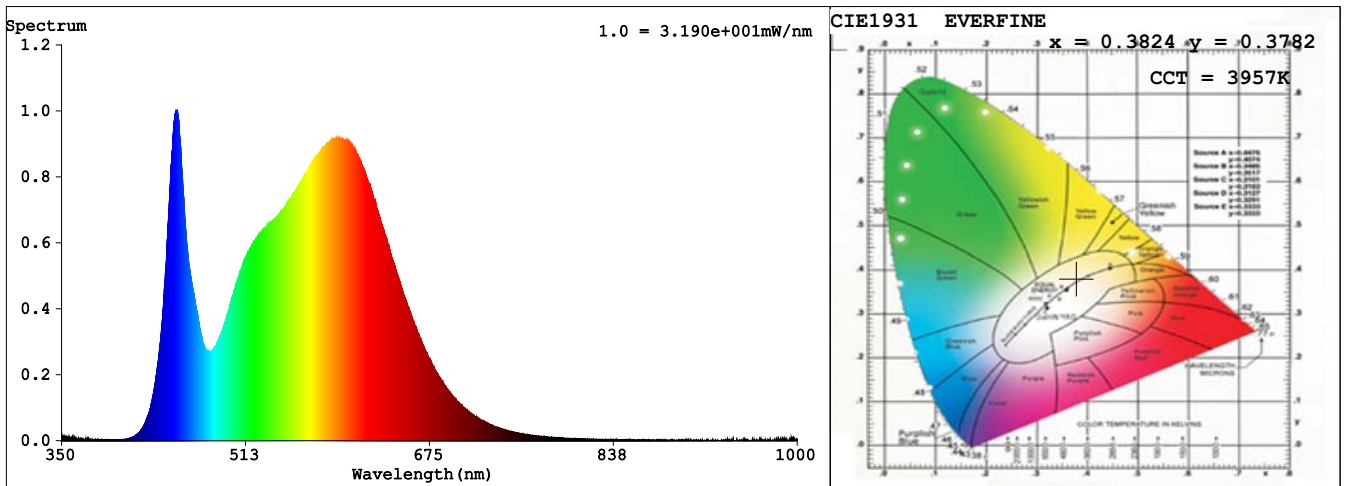
Test report

Sample	:	Date	: 2018-12-24 14:47:37
Specification	: SEC02-020-AW-WW-02	Sam. Status	:
Sample No.	: 3	Instrument	: HAAS-2000(EVERFINE)
Manufacturer	: Signcomplex	Test by	:
		Assessor	: damin

Test Condition

Temperature	: 25.0Deg	RH	: 65.0%
WL Range	: 350nm-1000nm	IP	: 51979 (79%)
Test Mode	: Fast Test	T	: 471 ms
		Sensitivity	: High

Spectrum



Spectral Distribution

CIE1931 Chromaticity Diagram

Colorimetric Parameters

Chromaticity Coordinate: $x = 0.3824$ $y = 0.3782$ / $u' = 0.2258$ $v' = 0.5025$ ($duv=9.82e-05$)
 CCT= 3957K Prcp WL: $L_d=579.2nm$ Purity=28.3%
 Peak WL: $L_p=451nm$ FWHM: =22.6nm Ratio:R=18.5% G=77.9% B=3.6%

Render Index: $R_a = 83.2$ AvgR = 76.6 TM30:Rf=82 Rg=95

R1 =82 R2 =90 R3 =95 R4 =82 R5 =82 R6 =86 R7 =86

R8 =64 R9 =9 R10=75 R11=81 R12=62 R13=84 R14=98 R15=75

WHITE:ANSI_4000K

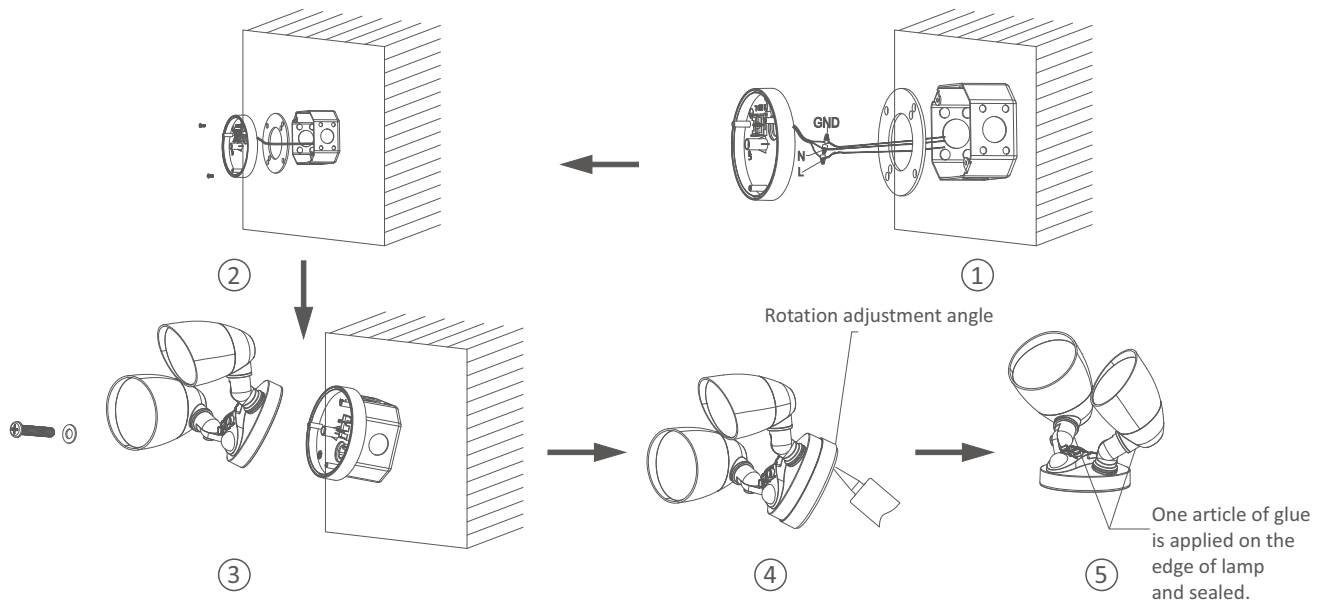
Photometric & Radiometric Parameters

Flux = 1672.5 lm Eff. : 87.70 lm/W Fe = 5.0869 W

Electrical parameters

V = 110.2 V I = 0.1794 A P = 19.07 W PF = 0.9649 F=59.98 Hz

Installation diagram



Packaging information

● Product type	SEC02-020-AW-WW-02
● Color box size	186x144x160mm
● External case size	596x208x340mm 16PCS/carton
● Net weight	0.485Kg
● Weight of single package	0.635KG
● Weight of whole case	11.5KG
● Container quantity	20-inch container 3024PCS
	40-inch common container 6384PCS
	40-inch high container 8208PCS

Notice



● Warning: Attention to electric shock

- Before the lamp is connected with the power supply, please cut off the fuse or air breaker; ensure that the input voltage is within the correct and reasonable scope and connect the lamp with the power supply of 120V 60 Hz; ensure that the connection of wire and grounding wire conforms to national electric standard and local applicable specification requirement. All connection of wire must use connection terminals in line with UL certification.

Warning: Attention to cauma

- Take the lamp from the box. Wear the glove and protective glasses at the time of installation, debugging and repair.

When the lamp is on, don't stare at the light source with eyes directly. As LED is very bright, you should not stare at LED at any circumstance. Otherwise, irreparable injury may be produced to your eyes. Please let the lamp cool before touching it. Don't touch the lamp enclosure or light source. The input power should not exceed the maximum power indicated on the lamp label.

Warning: Attention to fire

The inflammable and combustibile should be away from the light source and light/lens.



Yijia Industrial Park, Fuqian Road, Guanlan Town, LongHua, Shenzhen, Guangdong, China

Tel:+86-755-27608650
 Fax:+86-755-27608651
www.signcomplex.com
sales@signcomplex.com