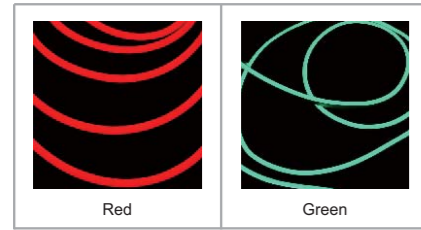


# IP67 Neon Flex

## SC-ESID-XX-24V

LED neon flexible strip with high flexibility, anti-UV, IP 67, high anti-corrosion grade , suitable for indoor and outdoor use.



### Features

- 1.High flexibility, the minimum bend radius 100mm;
- 2.Soft light effect, uniform color, light source can't be seen;
- 3.Color include various single colors and RGB, 20m/reel for single color, 15m/reel for RGB;
4. 14.4 W/M, 24V DC;
- 5.Each 100mm can be cut, and can be connected via connectors;
- 6.IP67,PVC+TPU material, anti-UV;
- 7.TUV, CE,RoHS.



### Application

1 Outdoor:architecture contour , advertising , plaza floor, stair handrail, swimming pool,grass courtyard and other places.



### Technical Parameters

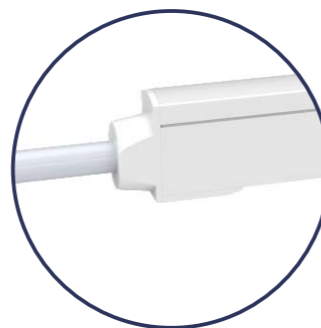
Model Number	Color	Width (mm)	Height (mm)	LED Q'ty/m	LED Type	Light Output (lumen/m)	Voltage (V DC)	Power (W/m)	Connection Length(m)	IP
SC-ESID-W-24	White	12	22	60pcs	5050 SMD	410	24	14.4	20	68
SC-ESID-WW-24	Warm White	12	22	60pcs	5050 SMD	340	24	14.4	20	68
SC-ESID-NW-24	Natural White	12	22	60pcs	5050 SMD	380	24	14.4	20	68
SC-ESID-R-24	Red	12	22	60pcs	5050 SMD	70	24	14.4	20	68
SC-ESID-G-24	Green	12	22	60pcs	5050 SMD	260	24	14.4	20	68
SC-ESID-B-24	Blue	12	22	60pcs	5050 SMD	50	24	14.4	20	68
SC-ESID-Y-24	Yellow	12	22	60pcs	5050 SMD	65	24	14.4	20	68
SC-ESID-RGB-24	RGB	12	22	60pcs	5050 SMD	/	24	14.4	15	68

### Accessories

Name	Description	Quantity	Name	Description	Quantity
Cable connector		1pcs/reel	Outer lock clip		2pcs/reel
End caps		1pcs/reel	Insert tool		1pcs/reel
Waterproof silicon tape		2pcs/reel	Screws		8pcs/reel
Mounting clips		80pcs/reel(single color); 60pcs/reel (RGB)	Screwdriver		1pcs/reel
Inner lock clip		2pcs/reel			

### Wire of LED strip can extend from 3 directions as below figure:

Wire extend from head



Wire extend from side

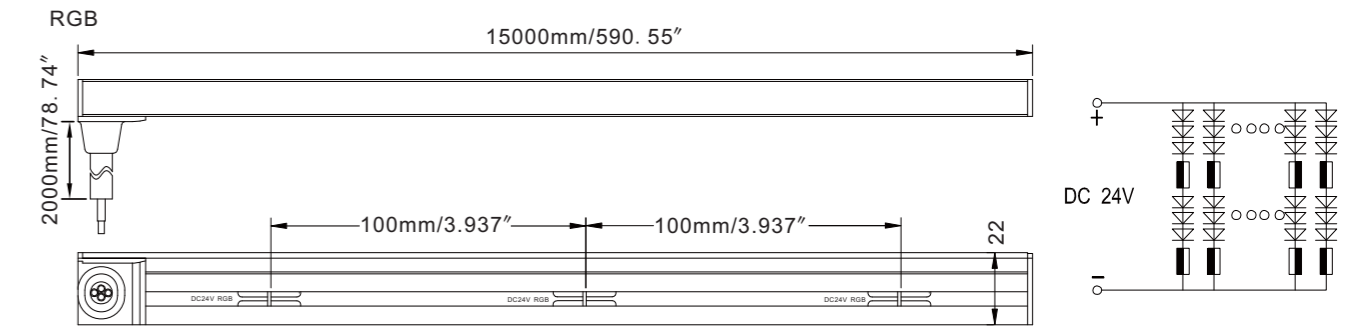
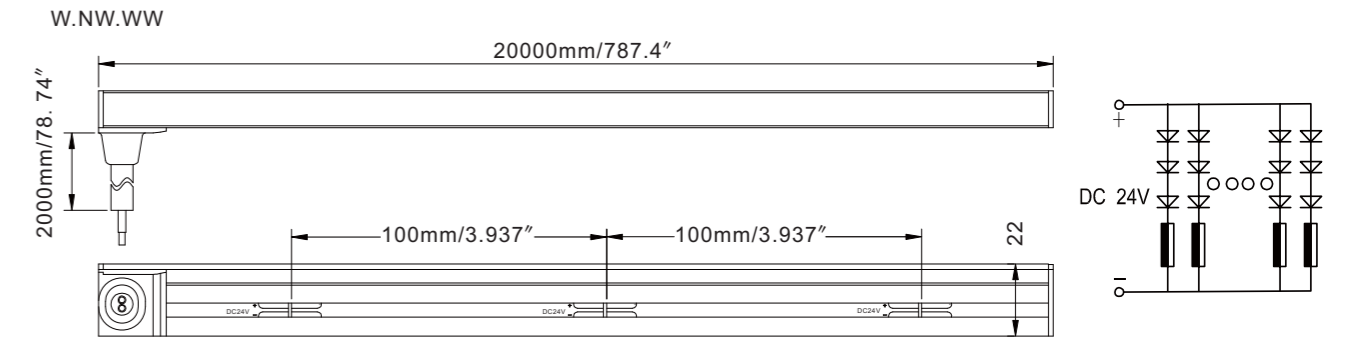


Wire extend from bottom

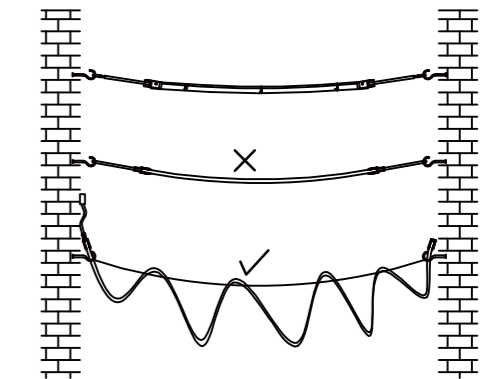
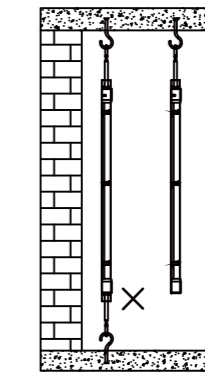
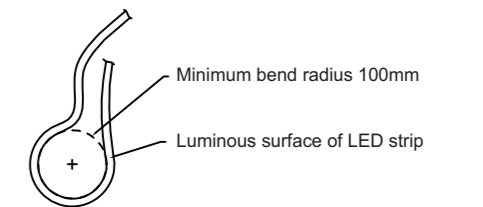
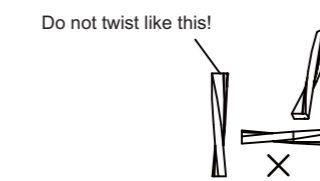


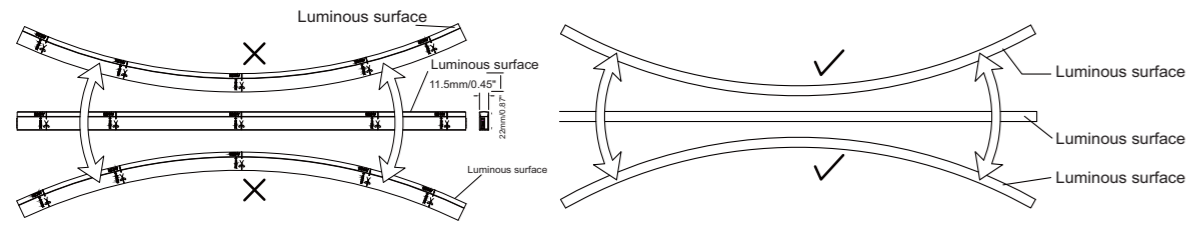
### Dimension&Circuit Drawings

Unit : mm



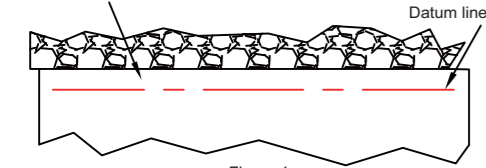
### Installation instruction



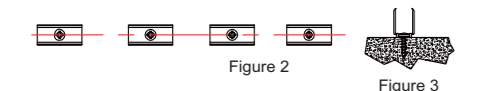


**Installation Instructions**

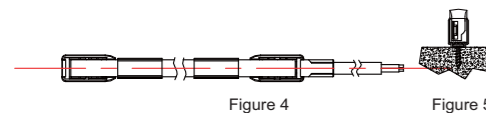
Surface of inversely installation, vertical installation, horizontal installation or vertical 90° installation.



1st: pull a line to parallel to the ground in the place where you are ready to install the led strips. As shown in picture 1

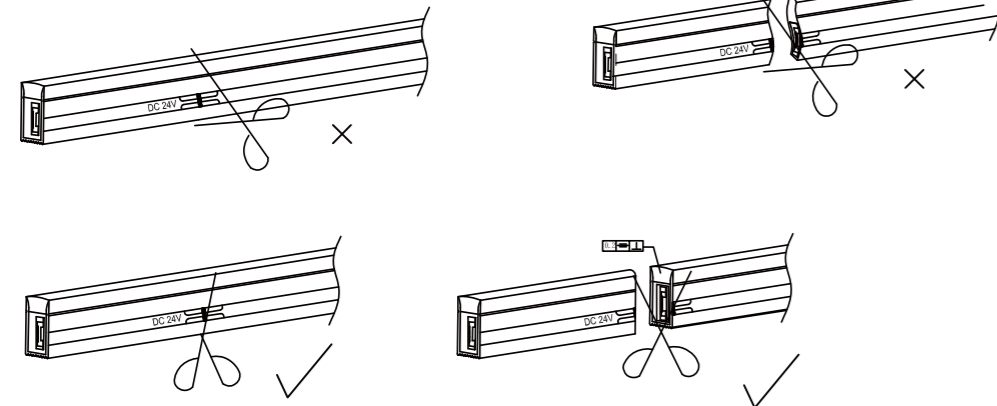


2nd: fix the clips in the datum line, and the distance between two clips depends on the actual situation, as shown in picture 2 and picture 3

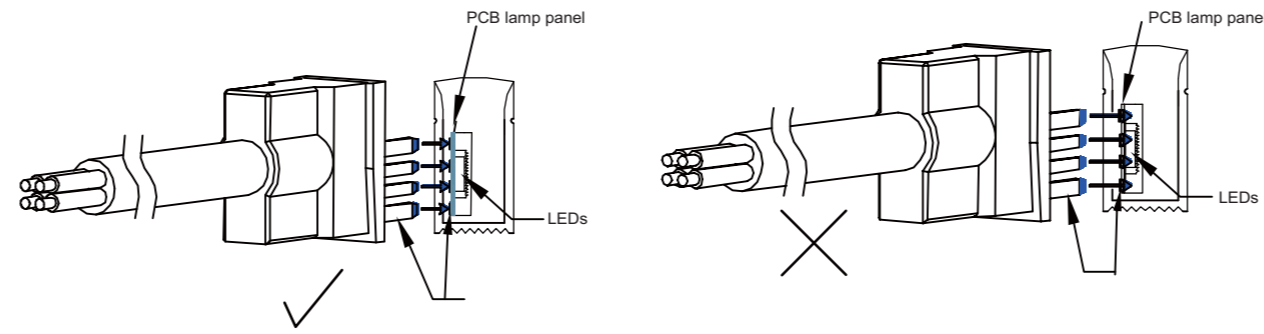
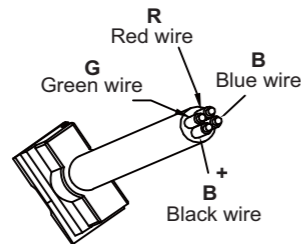
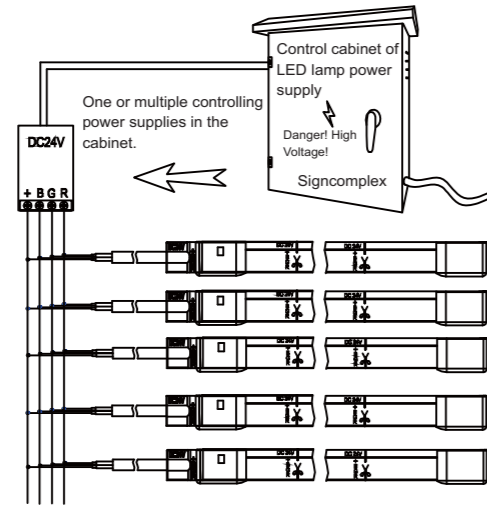


3rd: after the clips were fixed, hold the lighting side of strip tightly and then embed the back of strip in the clips slot, as shown in picture 4 and picture 5

**Cutting and assembly instruction**

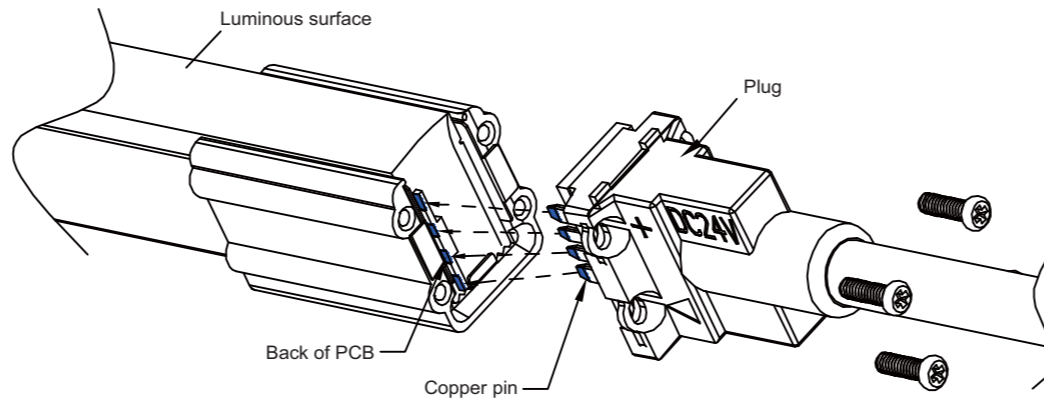


4th: connect power supply lines: as shown in the picture, the power supply box must be waterproof, moisture-proof and dust-proof.

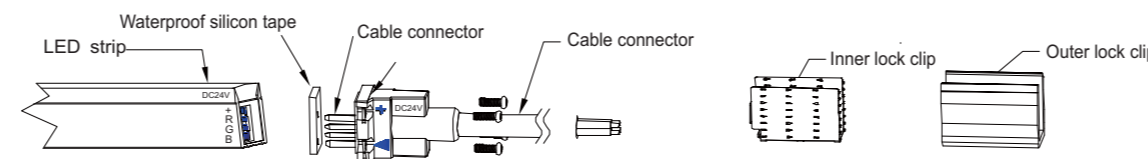


The copper pin should be inserted on the back of PCB.

Inserting copper pin in front of PCB is wrong.



**The installation Instructions of cable connector**

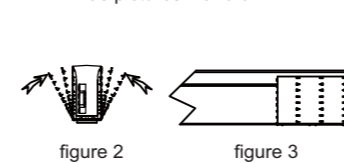


1st: please prepare these accessories first, screw, end cap, Waterproof silicon tape, the lighting strip, outer lock clip, inner lock clip

2nd: open the inner lock clip like this :as shown in picture 1



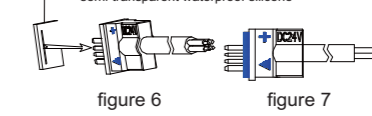
3rd: put the strip in the inner lock clip, as pictures 2 and 3



4th:align the outer and inner lock clips and push up together, as shown pictures 4 and 5.



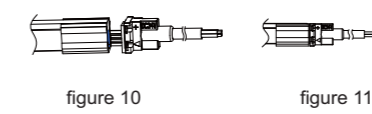
5th:put the waterproof silicon tape into cable connector, as shown in pictures 6 and 7.



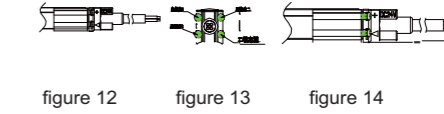
Step 6: align the plastic knife at the back of lamp panel and push it inwards to separate the lamp panel from plastic sheet. Then place the plastic washer into the clearance in front of the lamp panel as shown in figure 8 and figure 9.



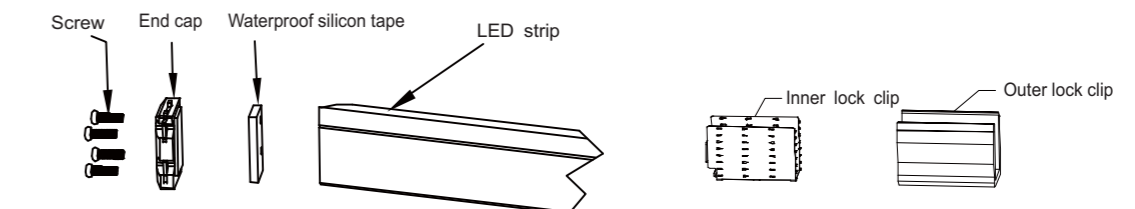
Step 7: align the pin at the bonding pad at the back of PCB board. Then push it in as shown in figure 10 and figure 11.



8th: use screws to tight the cable connector, as shown in pictures 12, 13 and 14.



**The installation Instructions of end cap**

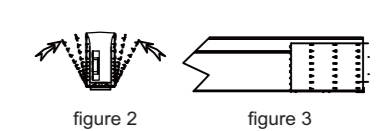


1st: please prepare these accessories: the lighting strip, waterproof silicon tape, end cap, inner lock clip and outer lock clip.

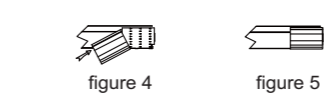
2nd: open the inner lock clip like this :as shown in picture 1



3rd: put the strip in the inner lock clip, as pictures 2 and 3



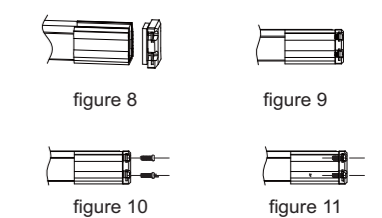
4th: align the outer and inner lock clips and push up together, as shown pictures 4 and 5.

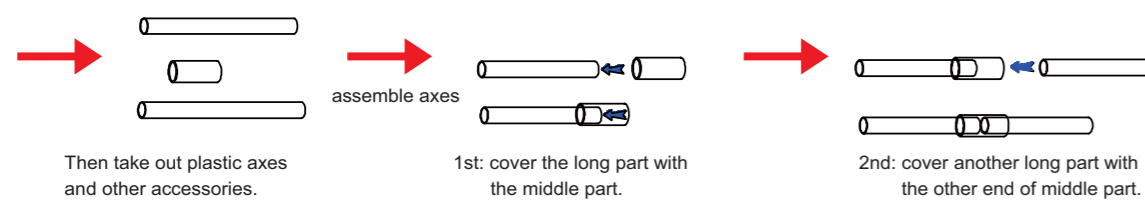
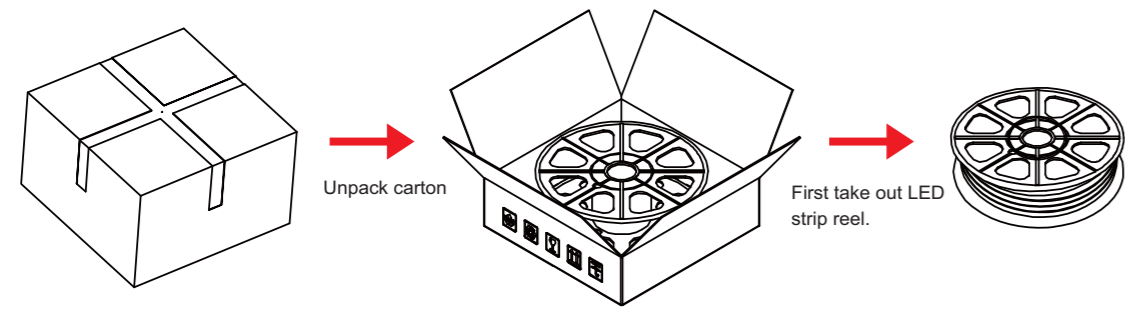


5th: put the waterproof silicon tape on the end cap, as shown pictures 6 and 7.

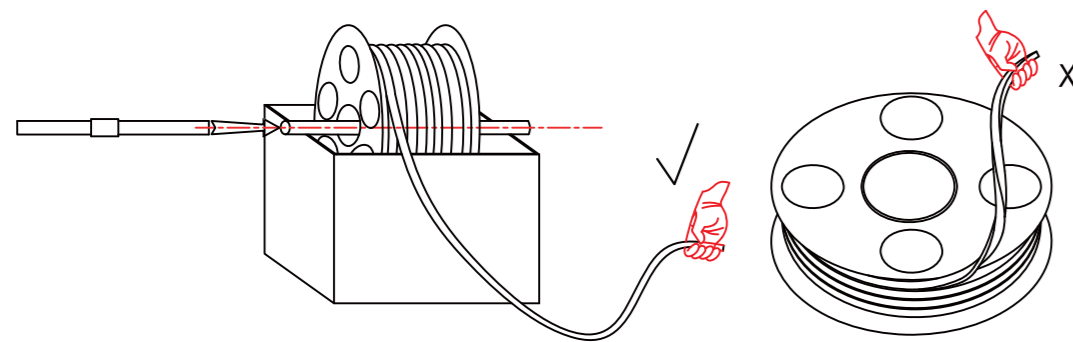


6th and 7th:use screws to tight waterproof silicon tape and end cap to end of strip to make sure IP68. as shown pictures 8,9,10 and 11.





#### How to Pull



#### Safety Information

1. Install the LED strip on flame-retardant surface, thickness of wood and material index exceed 2mm;
2. Please read the specification first, to make sure the service environment matches the condition in the specification before using;
3. Please confirm input voltage, disconnect power supply before use;
4. Take out LED strip carefully (as attached figure);
5. Cut LED strip according to Logo on the LED strip;
6. It can only be used neutral environments. (PH6-8).
7. Notice: If users cut LED strip to install by themselves, the IP grade of LED strip can't be guaranteed.