

M-Spot™ series

-----Triac Dimmable 



Features

- Life Span: 40,000 Hours
- Standard Warranty: 3 Years
- Universal E27/E26/B22/GU10
- Fully Dimmable (0-100%)
- Innovative Design, Better Thermal Management.
- Ecologically Friendly



M-Spot™ is an exceptionally high performance LED lamp built to last. It is a premium quality solid state lighting product precisely engineered and manufactured with state of the art technologies and materials.

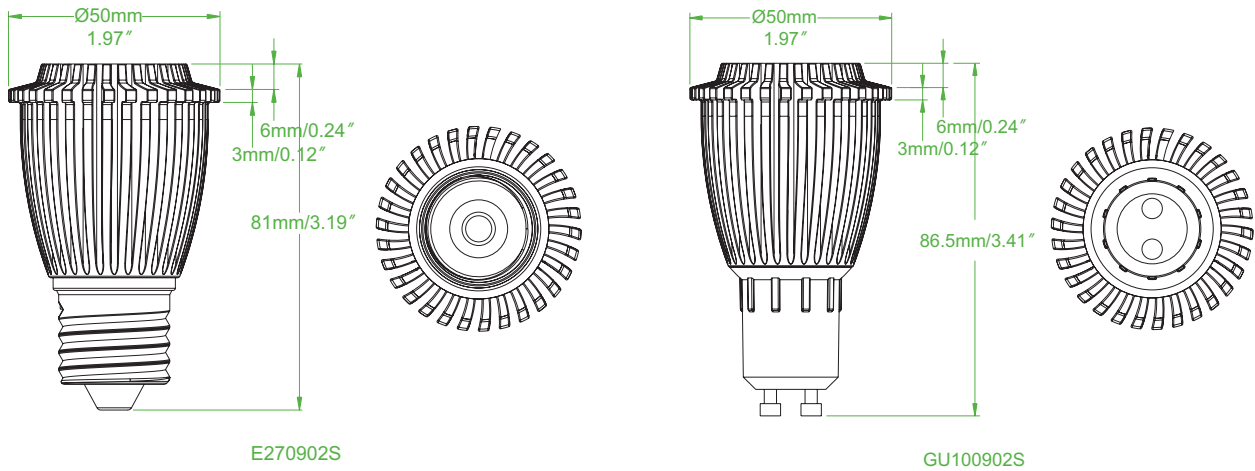
Proprietary driving circuit enables M-Spot™ to replace traditional incandescent / halogen lamp, up to 60 watt, directly without additional modification or transformer. There are Triac dimming.

Application

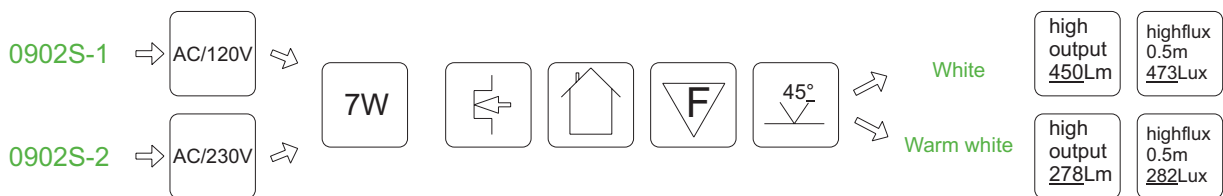
Widely used in the hotel, meeting room, offices, hospital, schools, factories, commercial lighting, shopping malls, supermarkets, kitchen, display, backlight, home indoor lighting and so on.



Dimensions

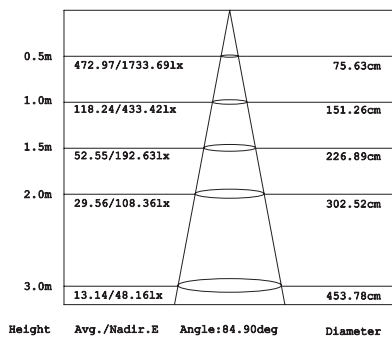


Specifications

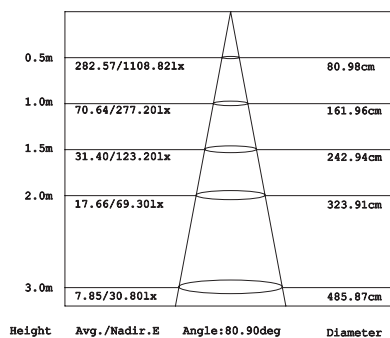


Model #	Color	LED Type	CCT	Rated Power Consumption	CRI	Lumen	Voltage Frequency	Beam Angle	Weight
GU100902S-1-W /E270902S-1-W	White	BridgeLux	6000K	7W	>75	450	120Vac/60 Hz	45°	3.35 ounces (95g)
GU100902S-1-WW /E270902S-1-WW	Warm White	BridgeLux	3300K	7W	>80	278	120Vac/60 Hz	45°	
GU100902S-2-W /E270902S-2-W	White	BridgeLux	6000K	7W	>75	450	230Vac/50Hz	45°	
GU100902S-2-WW /E270902S-2-WW	Warm White	BridgeLux	3300K	7W	>80	278	230Vac/50Hz	45°	

Average Illuminance Figure



White



Warm white

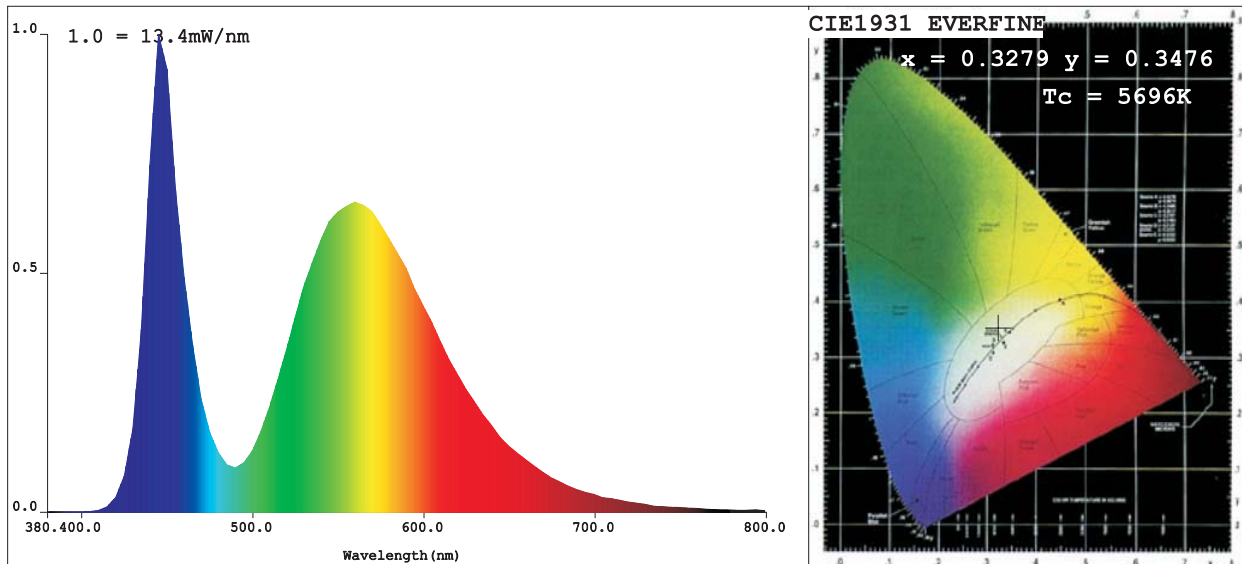


Absolute Maximum Rating

Parameter	Rating	Units
Aluminum Heat sink Temperature	78	° C
Operating Temperature	-20~+40	° C
Storage Temperature	-40~+80	° C
Equilibrium Temperature	31	° C

White

Spectrophotometer Test Report Light Source Test Report



CIE Color Parameters:

Chromaticity Coordinate: $x=0.3279$ $y=0.3476$ $u'=0.2013$ $v'=0.4802$ ($duv=5.35e-003$)

CCT: $T_c=5696K$ Prcp WaveL: $\lambda=530.0nm$ Purity=3.0%

Peak WaveL: $\lambda_p=445nm$ Half Width: $\Delta\lambda=23.0nm$ Ratio: R=11.2% G=85.6% B=3.2%

Average Wave: 549nm

CLASS: F_6300K

Rendering Index: $R_a=61.2$

Photo Parameters:

Flux: $\Phi=450.28(lm)$ Luminous Efficacy: 57.65(lm/W) Luminous Power: $P=1.288(W)$

Electrical Parameters:

$U=217.3V$ $I=0.0512A$ $P=6.906W$ $PF=0.702$

Instrument Status:

Scan Range: 380.0nm-800.0nm

Interval: 5.0nm

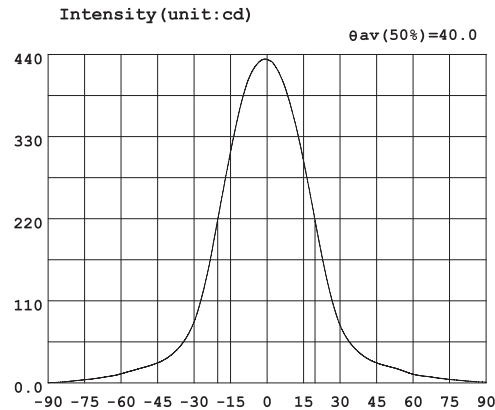
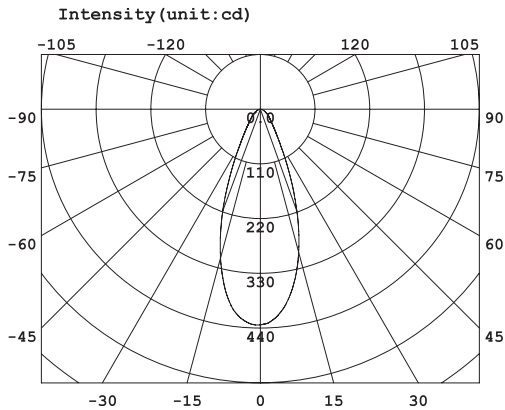
$I_p = 42350$ (G=5, D=54)

REF = 15005

TMP (PMT) = 27.9(deg.celsius)

Test Mode: Fast Test

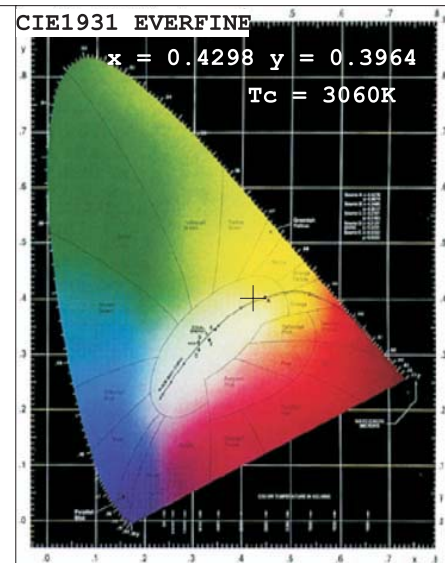
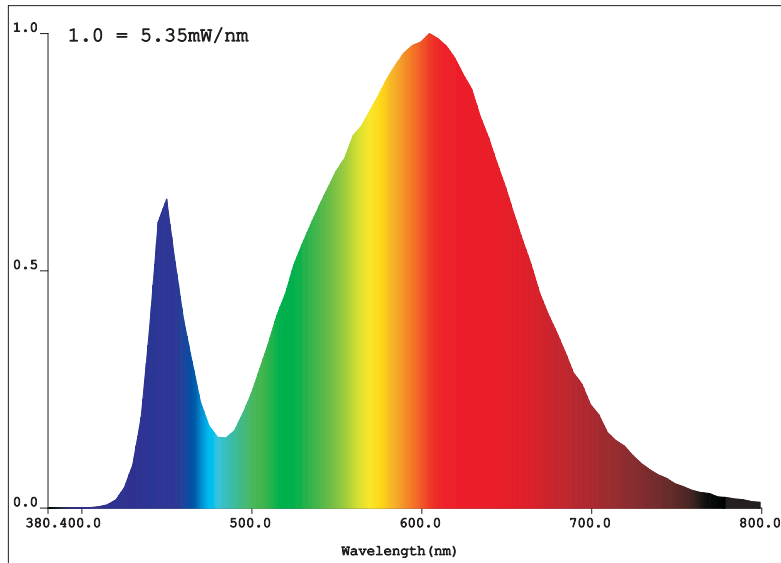
GONIOPHOTOMETER Test Report



Warm White

Spectrophotometer Test Report

Light Source Test Report



CIE Color Parameters:

Chromaticity Coordinate: $x=0.4298$ $y=0.3964$ / $u'=0.2493$ $v'=0.5173$ ($duv=-2.09e-003$)

CCT: $T_c=3060K$ Prcp WaveL: $\lambda=583.4nm$ Purity=48.0%

Peak WaveL: $\lambda_p=605nm$ Half Width: $\Delta\lambda=142.1nm$ Ratio: R=22.4% G=75.5% B=2.2%

Average Wave: 591nm

CLASS: OUT

Rendering Index: $R_a=80.7$

Photo Parameters:

Flux: $\Phi=276.89(lm)$ Luminous Efficacy: 35.76(lm/W) Luminous Power: $P=872.6(mW)$

Electrical Parameters:

U=217.4V I=0.0509A P=7.014W PF=0.699

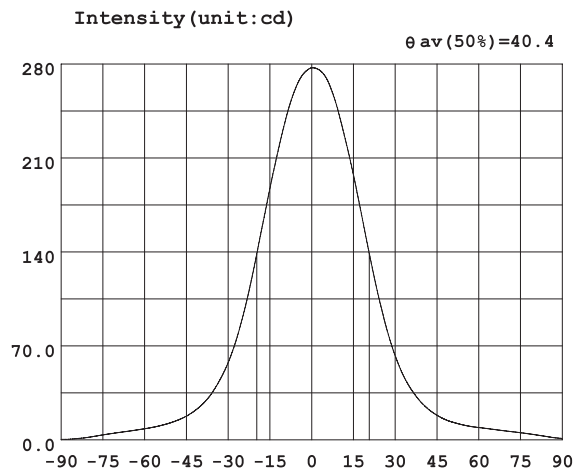
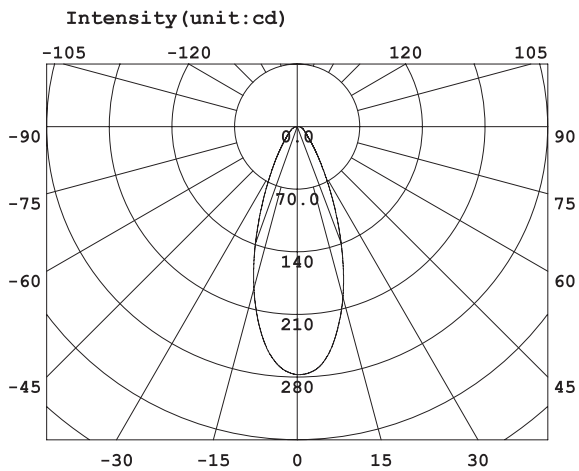
Instrument Status:

Scan Range: 380.0nm-800.0nm
REF = 9254

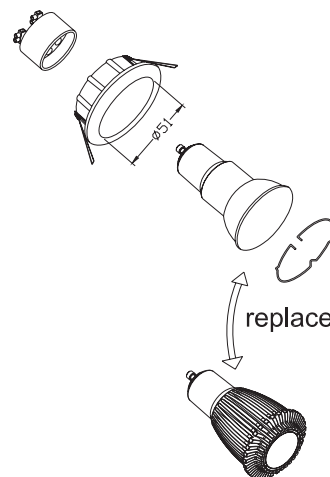
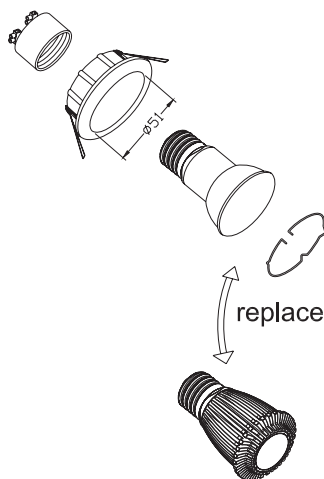
Interval: 5.0nm
TMP (PMT) = 25.7(deg.celsius)

$I_p = 47639$ (G=6, D=69)
Test Mode: Fast Test

GONIOPHOTOMETER Test Report



Installation



- ⚠ The product is strictly prohibited to be used in these conditions:
- For fixtures with internal control circuits (not including those which are officially allowed)
 - For conventional direction lamp or exit lights
 - For mercury vapor lamps, sodium lamps or HID lamps
 - For airtight or mechanically sealed fixtures

- ⚠ CAUTIONS
- Don't install it around a humid environment or place which has water drops.
 - Don't drop, scratch or squeeze the bulb.
 - Don't take apart the product or replace mechanical and electronic components.
 - Care needs to be taken that the light fixture with the bulb is a safe distance from paper, fabric or other inflammables.
 - Tighten the bulb base into socket in case to prevent falling out.
 - Don't touch the bulb body with fingers after it works for some time as the body temperature is quite warm.
 - Do not stare at the strong light for a long time as it may cause injury to eyes.

Signcomplex Limited Warranty

Signcomplex warrants this product ("Product") against defects in material or workmanship for a period of three years from the date of purchase. If this Product is determined to be defective, Signcomplex will repair or replace the Product, at its option. This warranty does not cover cosmetic damage or damage due to acts of God, accident, misuse, abuse, negligence, commercial use, or modification of, or to any part of the Product. This warranty does not cover damage due to improper operation or maintenance, connection to improper voltage supply, or attempted repair by anyone than a facility authorized by Signcomplex to service the Product.

Repair or replacement as provided under this warranty is the exclusive remedy of the customer. Signcomplex shall not be liable for any incidental or consequential damages for breach of any express or implied warranty on this Product except to the extent prohibited by applicable law, any implied warranty of merchantability or fitness for a particular purpose on this Product is limited in duration to the duration of this limited warranty.

Some states do not allow the exclusion or limitation of incidental or consequential damages, or allow limitations on how long an implied warranty lasts, so the above limitations or exclusions may not apply to you. This warranty gives you specific legal rights, and you may have other rights which vary from state to state.

Only Signcomplex may change, amend or modify the terms of this Limited Warranty and any such change, amendment or modification shall be in writing and is sued by Signcomplex. To obtain warranty service and shipping information call +86 755 2760 8650 or e-mail info@signcomplex.com. You must provide proof of purchase in the form of a bill of sale or receipted invoice which is evidence that the Product is within the warranty period to obtain warranty service. Consumers have legal rights under applicable national legislation governing the sale of consumer goods. Such rights are not affected by the warranties provision outlined in this document.

