

## RGB LED Ribbon Light

part no. **SC-ID-RGB**

RGB LED Ribbon Light (or RGB LED Flex Tape) has become the most popular selling product from Signcomplex lines. Thanks to its flexibility in cut+join installation, SC-ID-RGB looks more like an ordinary civil commodity than a purely industrial product. It has become the preferred material for indoor light designers if involved in bar, club, restaurant, cafe, lounge and events. The color changing and mixed effects will absolutely give you surprise!

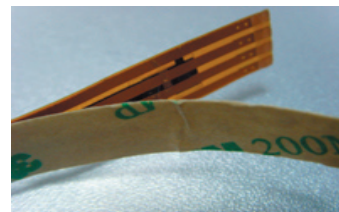


## The below is some normal applications which SC-ID-RGB is suitable for.

- Cove lighting
- Architectural lights for canopy, corridor, window, archway
- Backlight or edge lighting for signage
- DIY lights for home use
- Path and contour marking
- Decorative lights for holiday, event, show, exhibition

SC-ID-RGB does not request expertise or professional technicians for installation. Following the next steps only:

- 1) clean the surface where you plan to attach the ribbon light. Ensure there is no dust or oily material on the sticking space.
- 2) peel off the 3M tape from the backside of the ribbon
- 3) place the ribbon on the contour and slightly press the front of the ribbon, so the ribbon can firmly attach on the surface.

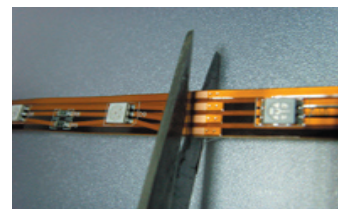


## Assembly Information

- Solder connection should only be performed on designated solder pads (marked " +/-"). During soldering, don't exceed the maximum soldering time of 10 seconds and the maximum soldering temperature of 260 Celsius degrees.
- The smallest unit (100mm - 3 LEDs) can be removed by cutting with scissors between the designated solder pads.
- The mounting of the strip is facilitated by means of the double-sided adhesive on the back-surface of the strip. Care must be taken to provide a clean and dry mounting surface, free of oils or silicone coatings as well as dirt particles. The mounting substrate must have sufficient structural integrity. Take care to completely remove the adhesive backing. Once the strip is appropriately positioned. Press on the strip with about 20N/cm<sup>2</sup> (refer to application techniques of 3M adhesive transfer tapes).
- The minimum bending radius is 2 cm. The strip may be bent over a smaller radius of the circuit board containing no electronic components and such bends should be made once and fixed in position to avoid cyclic fatigue.

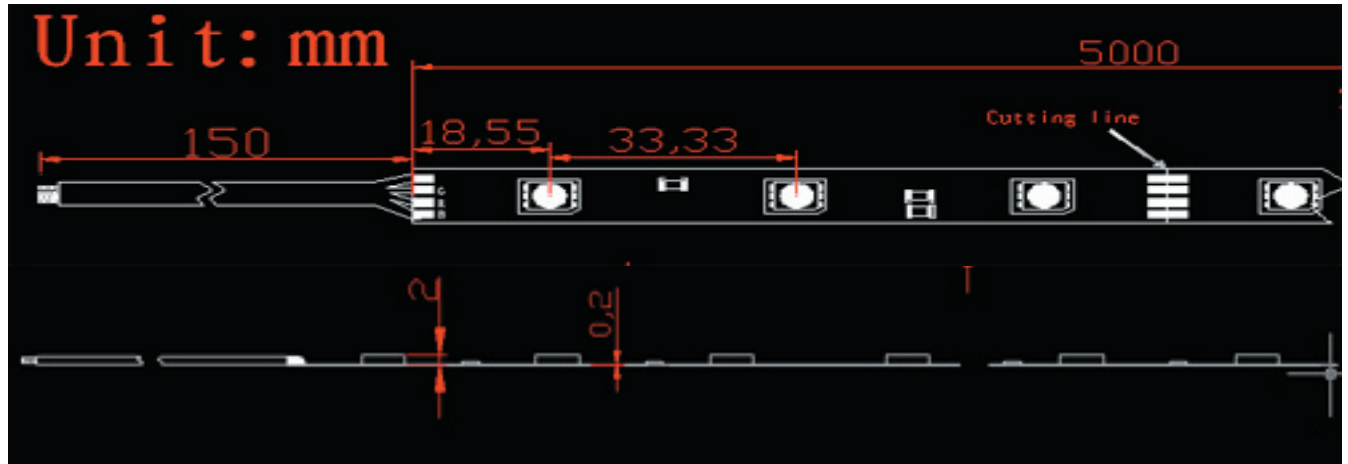
## Safety Information

- The strip itself and all its components may not be mechanically stressed.
- Assembly must not damage or destroy conducting paths on the circuit board.
- Installation of LED ribbon (with power supplies) needs to be made with regard to all applicable electrical and safety standards. Only qualified personnel should be allowed to perform installations.
- Correct electrical polarity needs to be observed. Wrong polarity may destroy the strip.
- Parallel connection is highly recommended as safe electrical operation mode.
- Serial connection is not recommended. Unbalanced voltage drop can cause hazardous overload and damage the strip.
- Please ensure that the power supply is of adapters power to operate the total load.
- When mounting on metallic or otherwise conductive surfaces, there needs to be an electrical isolation points between strip and the mounting surface.
- Pay attention to standard ESD precautions when installing the strip.
- Damaged by corrosion will not be honored as a materials defect claim. It is the user's responsibility to provide suitable protection against corrosive agents such as moisture and condensation and other harmful elements.

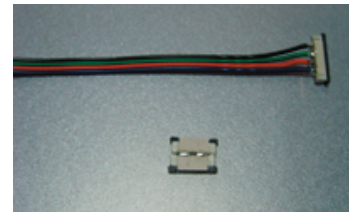


## Basic technical data

- comes with 5 meters as the standard packing length
- ribbon width: 10mm
- voltage: 12V DC
- max. current: 3A
- max. power: 36W
- LED quantity: 150 pcs
- LED distance: 33mm
- smallest separate section length: cuttable every 3 LEDs, 100mm



Signcomplex equips 5 free wire-to-ribbon and ribbon-to-ribbon connectors in every packing bag. The connectors are necessary for cutting use.



ribbon packing way: 5m/reel  
tin bag size: 215 X 240mm  
weight: 0.3KG/bag  
label containing information:  
1) model number  
2) color  
3) length  
4) manufacturing date

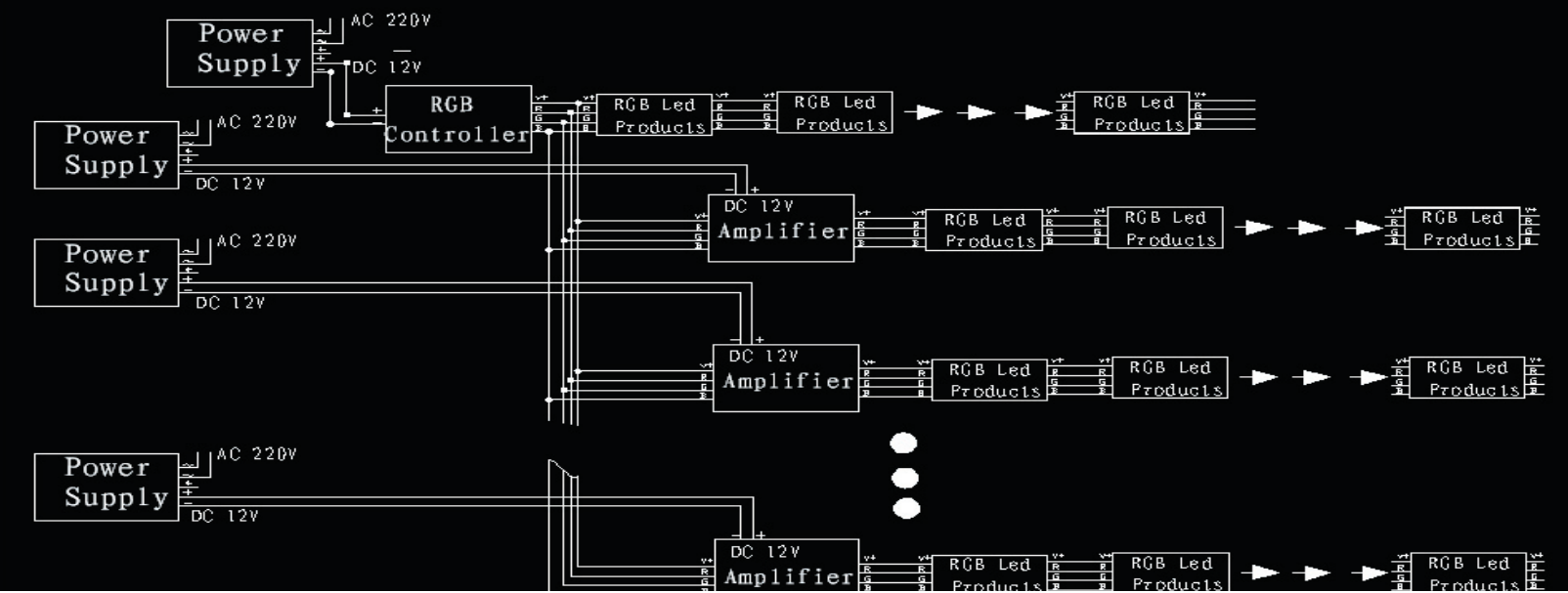
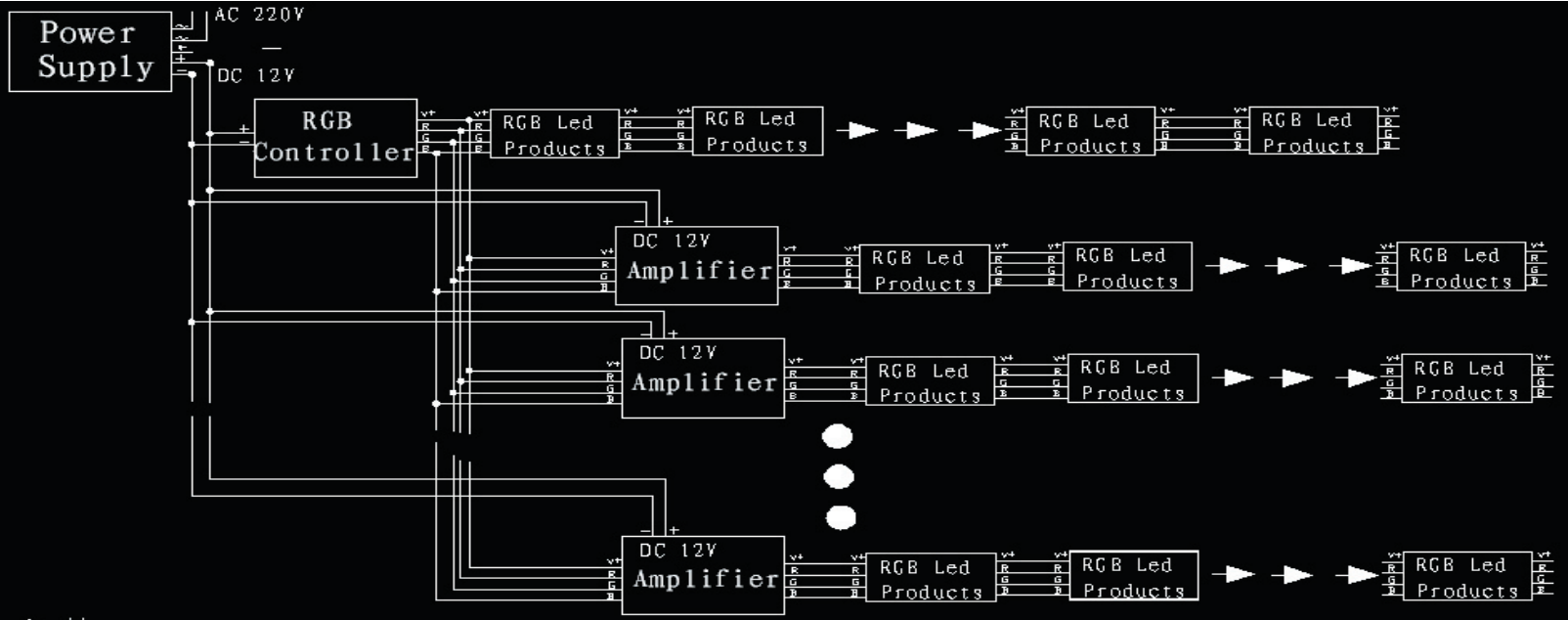
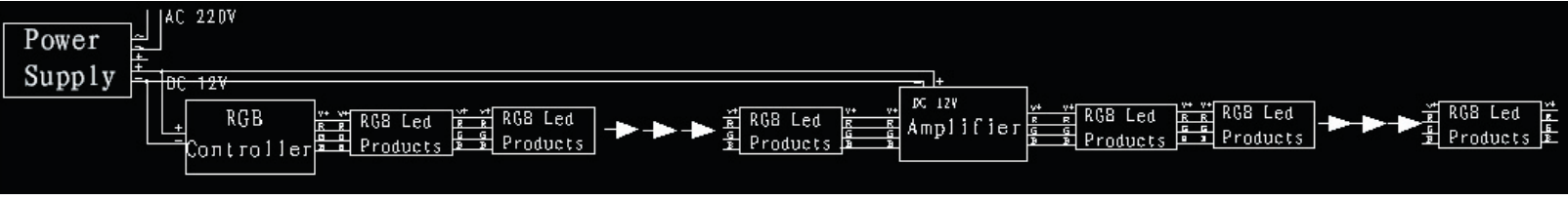
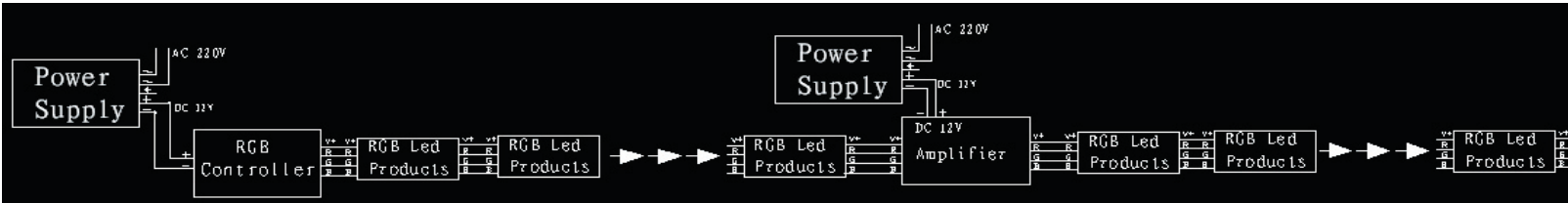
The recommended length for connection is 10 meters ( 2 reels). After the length, an amplifier is needed for more length.

To run SC-ID-RGB, you need

- 1) a suitable 12VDC power supply
- 2) a controller (Signcomplex SC-WC series controllers can do the work)
- 3) an amplifier (SC-AP-12)



The below shows the 4 ways of connection.



**Signcomplex Limited**

3/F., Bldg. 2, Tianxia Industrial Zone, Zhoushi Road, Shiyan Town, Shenzhen, P.R.C.  
 Phone: +86 755 2760 8650 Fax: +86 755 2760 8651  
 www.signcomplex.com sales@signcomplex.com

