

LED pool light

iAqua™ ---SD05

Features

- Die-casting steel housing and 4mm tempered glass cover. Anti-creep and corrosion preventive.
- IP Code: IP68
- Low voltage running for safety operation.
- Adjustable emitting directions.
- Compatible with normal and DMX512 controllers.
- Easy connection and installation system.
- Projection distance 50m
- Long lifespan up to 50,000 hours.
- Weight 2.6KG (including the packing box).
- Standard Warranty: 3 Years
- LED Source: 3W High Power LED Source

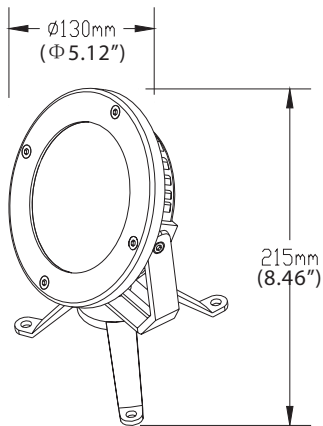


Application

- Aquatic light
- Pool light
- Waterfall, spring lights
- Projection light
- Entertainment light

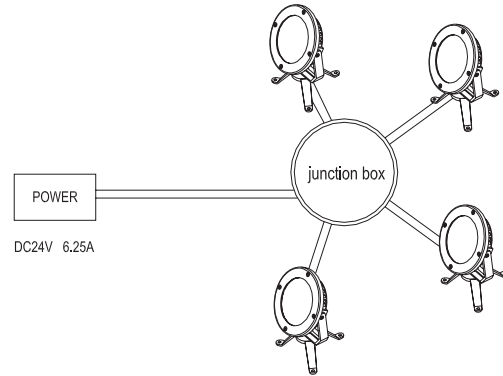


Dimensions



Wiring diagram

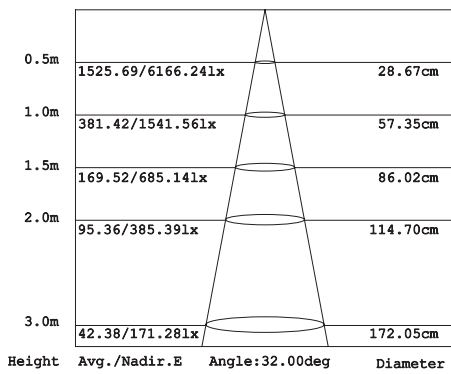
Junction box comes with 5 to 10 holes so 4 to 9 iAqua can be installed in this way.



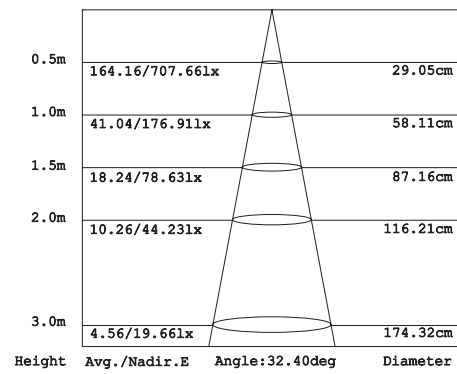
Specifications

Model Number	Color	Luminous Flux	LED Source	Working Voltage	Max. Power Consumption	Beam Angle
SC-SD05-G	Green	482 lm	HCC P20 LED (3W LED)	24V DC	18W	8°
SC-SD05-B	Blue	133 lm				
SC-SD05-W	White	830 lm				
SC-SD05-WW	Warm White	521 lm				

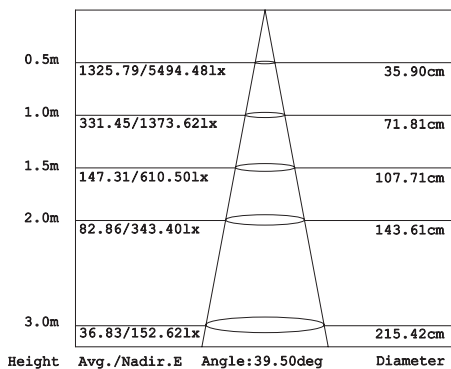
Average Illuminance Figure



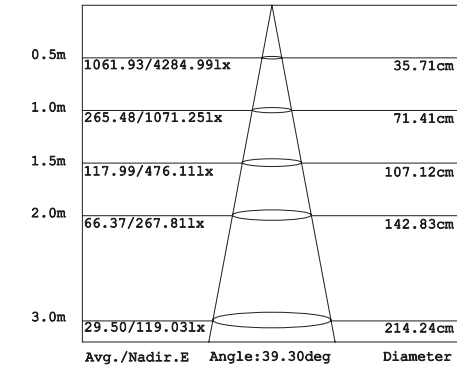
SC-SD05-G



SC-SD05-B



SC-SD05-W



SC-SD05-WW

Signcomplex Limited Warranty

Signcomplex warrants this product ("Product") against defects in material or workmanship for a period of three years from the date of purchase. If this Product is determined to be defective, Signcomplex will repair or replace the Product, at its option. This warranty does not cover cosmetic damage or damage due to acts of God, accident, misuse, abuse, negligence, commercial use, or modification of, or to any part of the Product. This warranty does not cover damage due to improper operation or maintenance, connection to improper voltage supply, or attempted repair by anyone than a facility authorized by Signcomplex to service the Product.

Repair or replacement as provided under this warranty is the exclusive remedy of the customer. Signcomplex shall not be liable for any incidental or consequential damages for breach of any express or implied warranty on this Product except to the extent prohibited by applicable law, any implied warranty of merchantability or fitness for a particular purpose on this Product is limited in duration to the duration of this limited warranty.

Some states do not allow the exclusion or limitation of incidental or consequential damages, or allow limitations on how long an implied warranty lasts, so the above limitations or exclusions may not apply to you. This warranty gives you specific legal rights, and you may have other rights which vary from state to state.

Only Signcomplex may change, amend or modify the terms of this Limited Warranty and any such change, amendment or modification shall be in writing and is issued by Signcomplex. To obtain warranty service and shipping information call +86 755 2760 8650 or e-mail info@signcomplex.com. You must provide proof of purchase in the form of a bill of sale or receipted invoice which is evidence that the Product is within the warranty period to obtain warranty service. Consumers have legal rights under applicable national legislation governing the sale of consumer goods. Such rights are not affected by the warranties provision outlined in this document.

